

Components List:

1. Plasterboards
2. SFS Studs
3. Internal Insulation
4. Calcium Silicate Boards
5. Breathing Membrane
6. Double Helping Hand Bracket
7. Top Hat with Insulation Infill
8. Mineral Wool Insulation
9. Vertical Rails
10. Discrete Cassette Panel
11. Fire Barrier
12. Window Cill

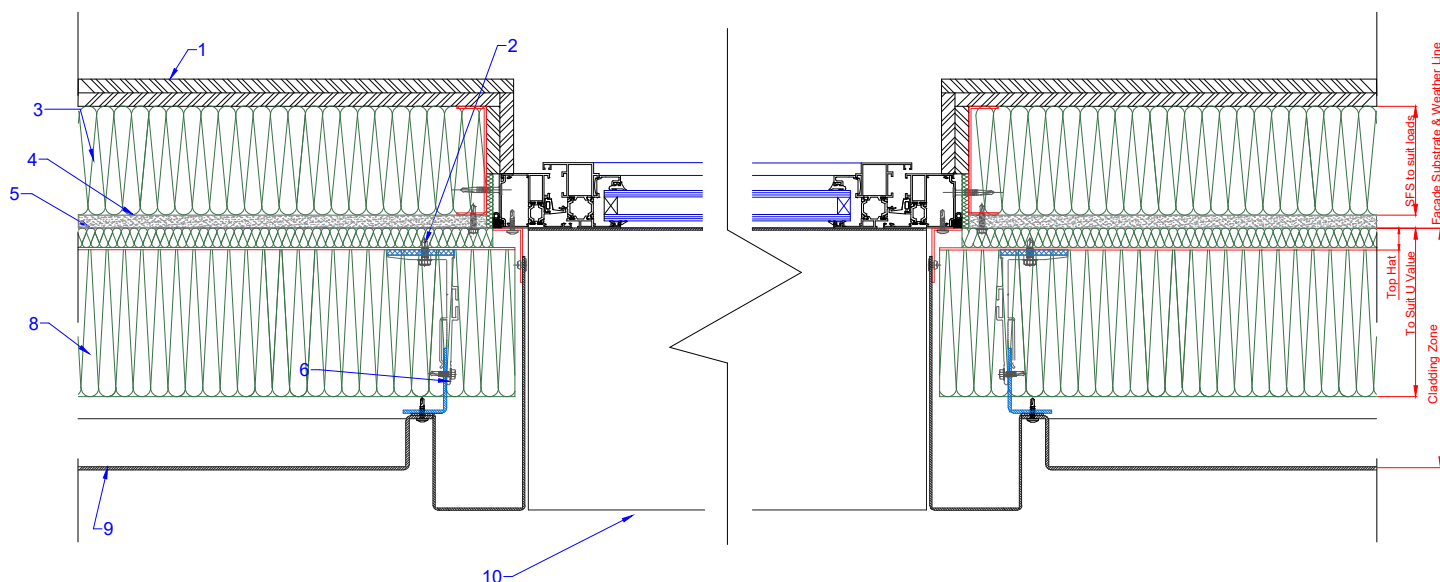


Aluclad Systems Ltd.

Office 32, 203-205 The Vale,
 London, W3 7QS, United Kingdom,
 info@alucladsystems.com; www.alucladsystems.com

Title: **Aluclad Windows Surround POD
 Vertical Section**

Drg. No: ACL-WP-001	Drawn By: PF	Date: 25.07.20
Scale 1:4 @A4	Checked by: Aluclad Systems	Rev: A



Real View



Components List:

1. Plasterboards
2. SFS Studs
3. Internal Insulation
4. Calcium Silicate Boards
5. Breathing Membrane
6. Double Helping Hand Bracket
7. Top Hat with Insulation Infill
8. Mineral Wool Insulation
9. Discrete Cassette Panel
10. Window Cill



Aluclad Systems Ltd.

Office 32, 203-205 The Vale,
 London, W3 7QS, United Kingdom,
 info@alucladsystems.com; www.alucladsystems.com

Title: **Aluclad Windows Surround POD
 Horizontal Section**

Drg. No: ACL-WP-002	Drawn By: PF	Date: 25.07.20
Scale 1:4 @A4	Checked by: Aluclad Systems	Rev: A