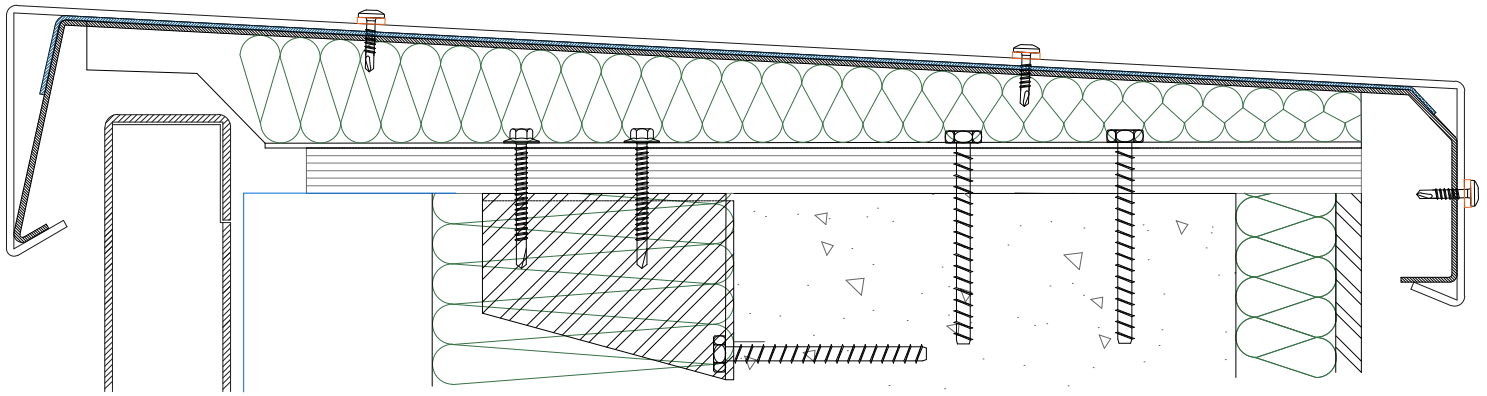
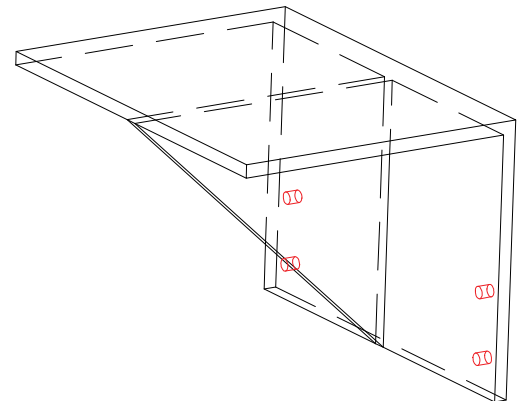
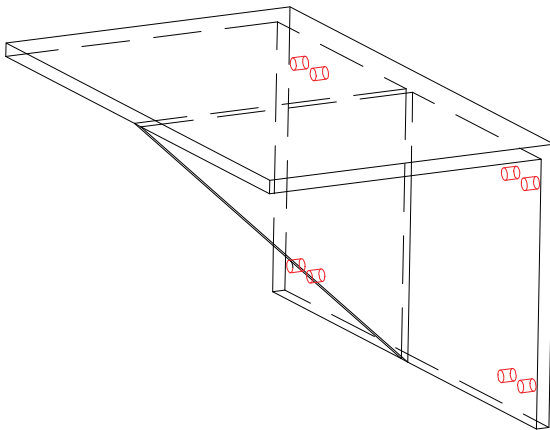


Aluclad Wall Copings Support - Section A-A



Aluclad Wall Copings Support - 3D View



Option Available:

1. Galvanized Steel or Aluminium.
2. Sizes and shapes subject to project calculation



Aluclad Systems Ltd.

Office 32, 203-205 The Vale,
London, W3 7QS, United Kingdom,
info@alucladsystems.com; www.alucladsystems.com

Title:
Aluclad Wall Copings Support Section

Drg. No: ACL-CSU-002	Drawn By: PF	Date: 10.05.20
-------------------------	-----------------	-------------------

Scale 1:4 @A4	Checked by: Aluclad Systems	Rev: A
------------------	--------------------------------	-----------