

Components List:

1. Underneath coping support
2. Plywood support
3. Aluminium brackets at 1m centre
4. Insulation infill between brackets
5. Expanding Seal Tape
6. Aluminium copings 3m lengths



Aluclad Systems Ltd.

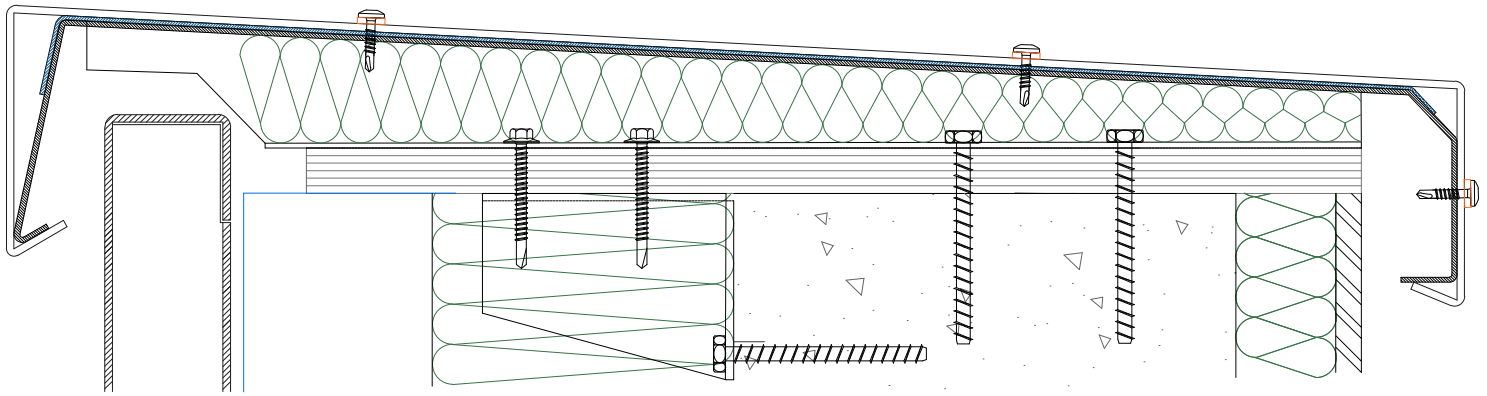
Office 32, 203-205 The Vale,
 London, W3 7QS, United Kingdom,
 info@alucladsystems.com; www.alucladsystems.com

Title: **Aluclad Copings System -
 Typical Construction Detail**

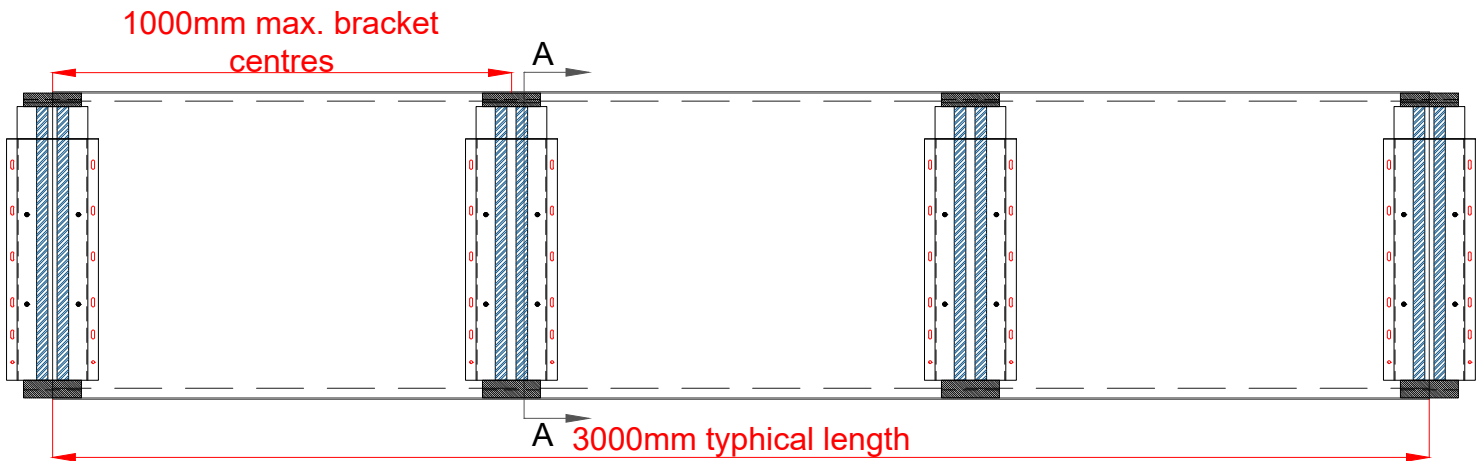
Drg. No: ACL-COP-001	Drawn By: PF	Date: 10.05.20
--------------------------------	------------------------	--------------------------

Scale 1:4 @A4	Checked by: Aluclad Systems	Rev: A
-------------------------	---------------------------------------	------------------

Section A-A



View on Plan (1:20)



Aluclad Systems Ltd.

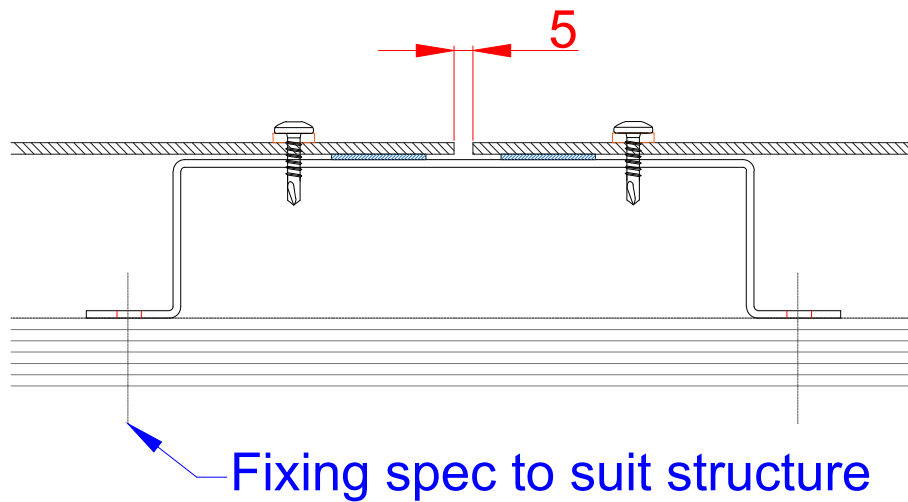
Office 32, 203-205 The Vale,
London, W3 7QS, United Kingdom,
info@alucladsystems.com; www.alucladsystems.com

Title: **Aluclad Copings System -
Typical Detail**

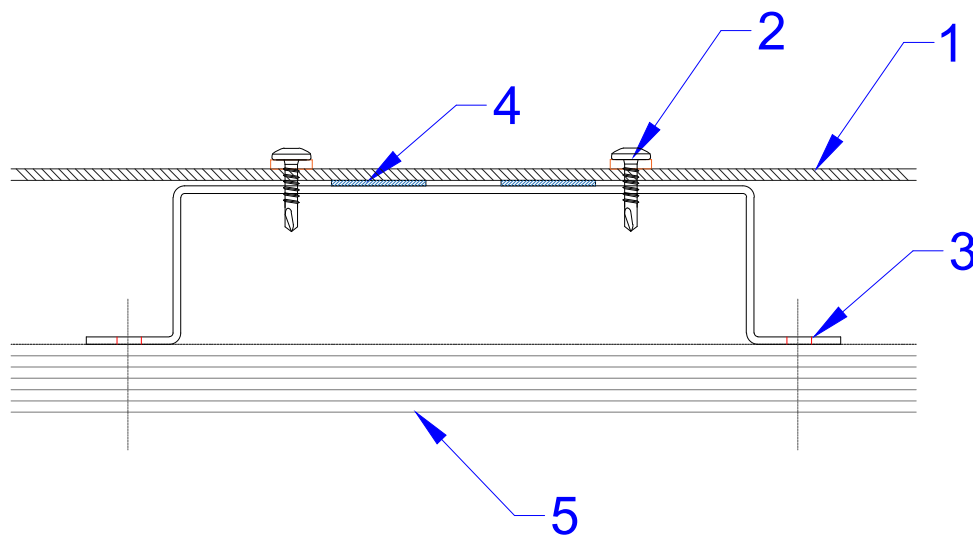
Dwg. No: ACL-COP-002	Drawn By: PF	Date: 10.05.20
--------------------------------	------------------------	--------------------------

Scale 1:4 @A4	Checked by: Aluclad Systems	Rev: A
-------------------------	---------------------------------------	------------------

Coping Joint Detail



Intermediate Coping Joint Detail



Components List:

1. Aluminium Coping Detail
2. Colour Coated Screw
3. Aluminium Bracket
4. Expanding Seal Tape 3.0mm
5. Plywood support



Aluclad Systems Ltd.

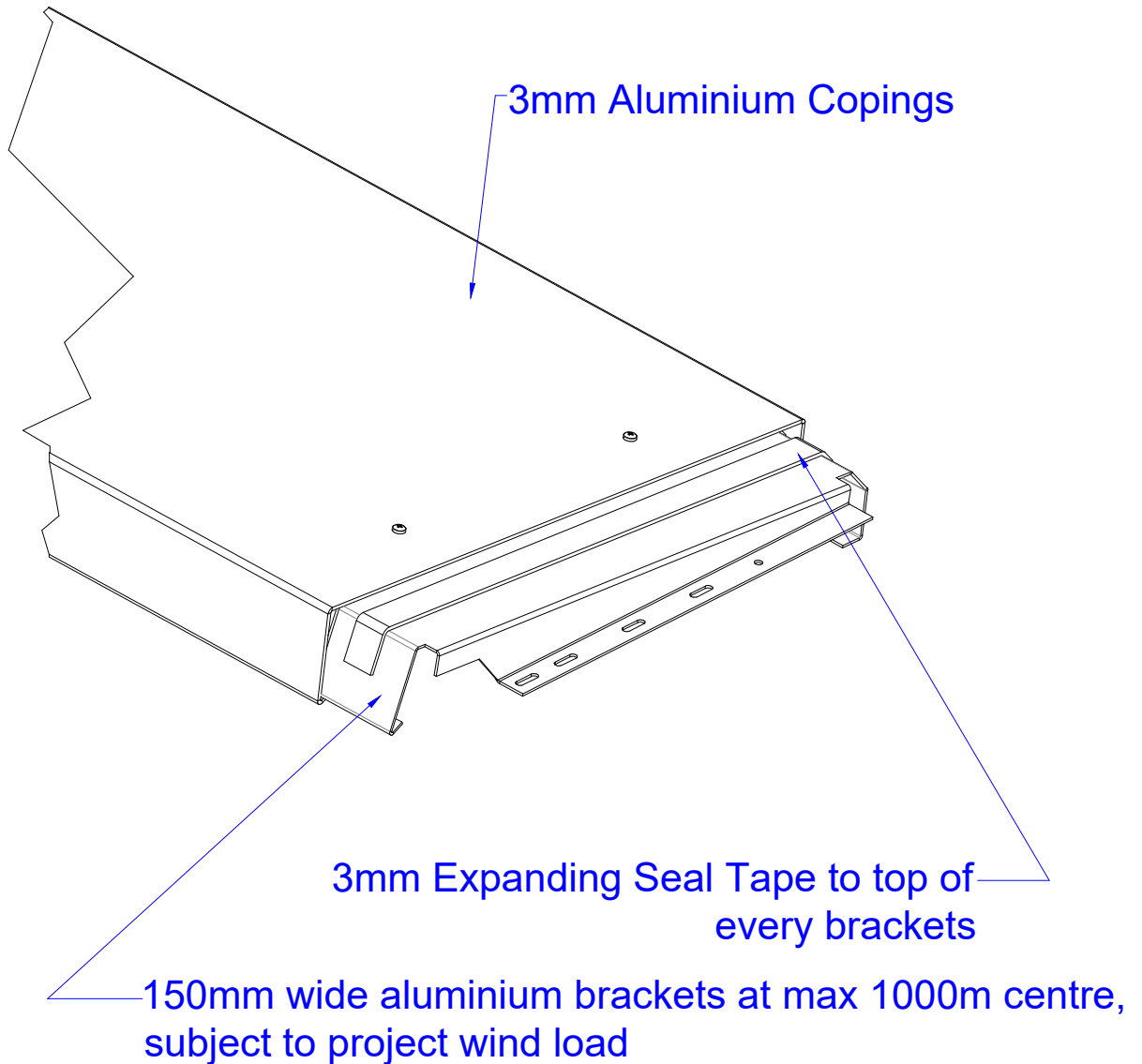
Office 32, 203-205 The Vale,
London, W3 7QS, United Kingdom,
info@alucladsystems.com; www.alucladsystems.com

Title: **Aluclad Copings System -
Joint Detail**

Dwg. No: ACL-COP-003	Drawn By: PF	Date: 10.05.20
-------------------------	-----------------	-------------------

Scale 1:4 @A4	Checked by: Aluclad Systems	Rev: A
------------------	--------------------------------	-----------

Isometric View on Joint



Recommendations:

- EPDM Membrane to be dressed over plywood prior installation of brackets and copings.
- Allow 1mm expansion gap per 1m length of the copings between profile lengths.



Aluclad Systems Ltd.

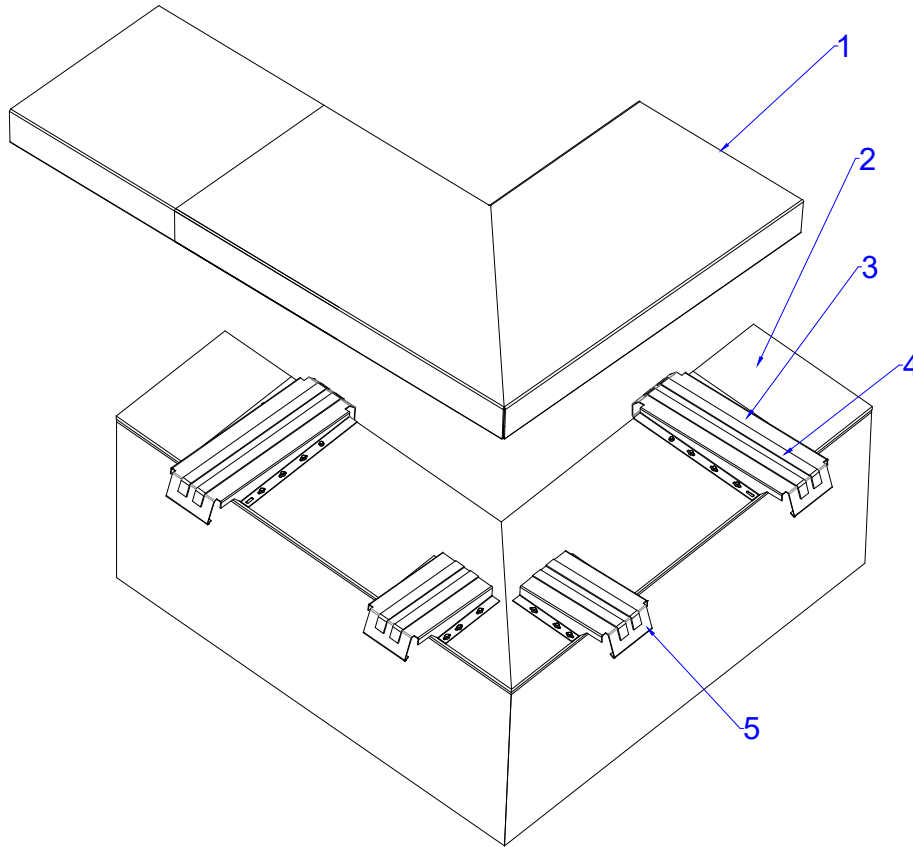
Office 32, 203-205 The Vale,
London, W3 7QS, United Kingdom,
info@alucladsystems.com; www.alucladsystems.com

Title: **Aluclad Copings System -
Isometric View on Joint**

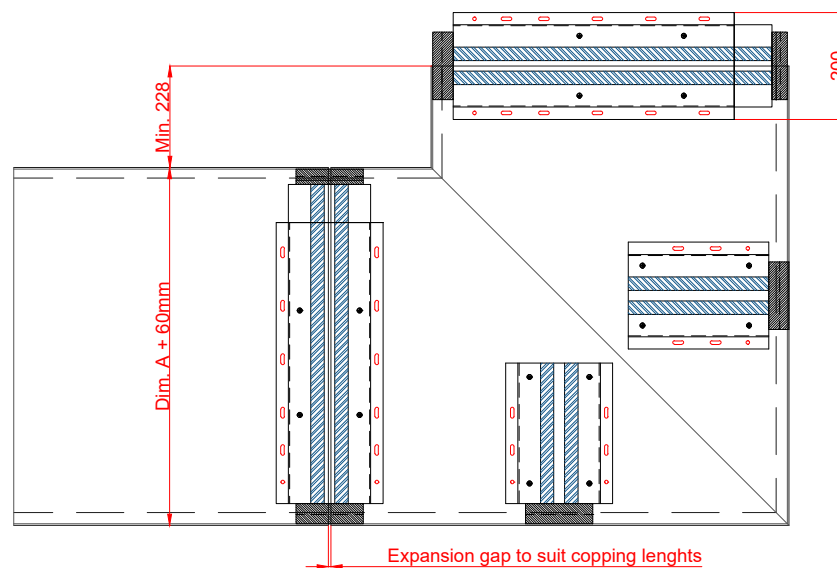
Drg. No: ACL-COP-004	Drawn By: PF	Date: 10.05.20
--------------------------------	------------------------	--------------------------

Scale 1:4 @A4	Checked by: Aluclad Systems	Rev: A
-------------------------	---------------------------------------	------------------

Isometric View on Coping Corner



Plan View on Coping Corner



Components List:

1. 3mm Aluminium PPC Copings
2. EPDM membrane to top of Plywood
3. 2mm Aluminium Bracket at max. 1000mm centre
4. 3mm Expanding Seal Tape to top of brackets
5. 2mm Aluminium Half bracket at the corner



Aluclad Systems Ltd.

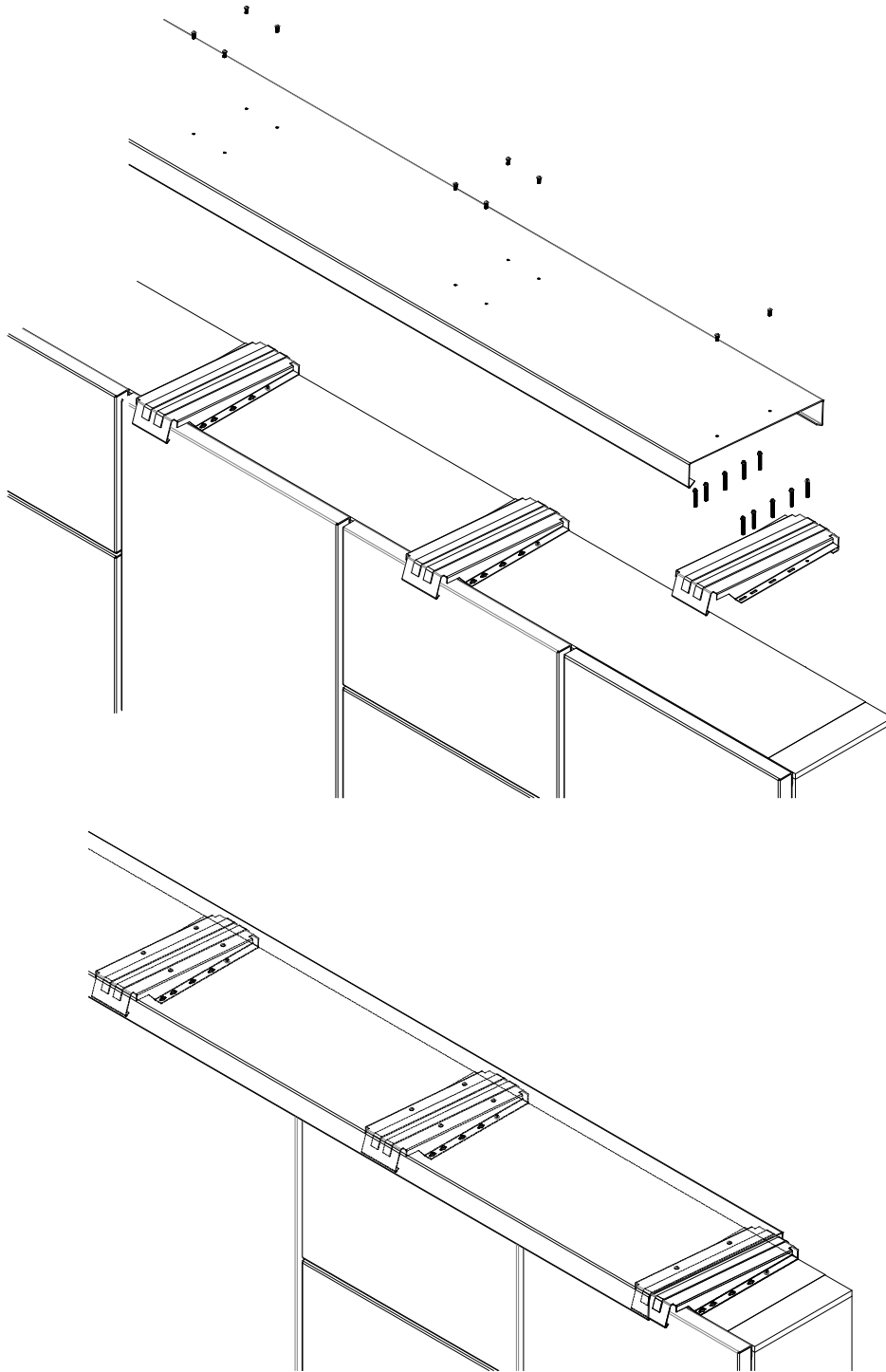
Office 32, 203-205 The Vale,
London, W3 7QS, United Kingdom,
info@alucladsystems.com; www.alucladsystems.com

Title: **Aluclad Copings System -
Corner Detail**

Dwg. No: ACL-COP-005	Drawn By: PF	Date: 10.05.20
--------------------------------	------------------------	--------------------------

Scale 1:4 @A4	Checked by: Aluclad Systems	Rev: A
-------------------------	---------------------------------------	------------------

Copings Installation Guide



Aluclad Copings System Installation Instruction:

1. Install and level plywood support sheet and EPDM membrane
2. Installation of support brackets begin working from corner to corner or other stop end.
3. First install corner full and half brackets and run string line between them. Use appropriate fixings to secure the copings brackets
4. Once corners are set, install intermediate brackets between corners at maximum 1m centre.
5. Install self-adhesive expanding seal tape to each bracket
6. Snap copings over brackets, clip on front bracket fixing strap, pull over and push down to clip over rear fixing strap, leaving 3mm expansion gap in between each component.
7. Last length of each run shall be cut to dimensions to suit.
8. Check neatness of installation and adjust as necessary. If required by design, secure top copings with additional fixings on top and back return, as per detail.



Aluclad Systems Ltd.

Office 32, 203-205 The Vale,
London, W3 7QS, United Kingdom,
info@alucladsystems.com; www.alucladsystems.com

Title: **Aluclad Copings System -
Installationn Detail**

Drg. No: ACL-COP-006	Drawn By: PF	Date: 10.05.20
Scale 1:4 @A4	Checked by: Aluclad Systems	Rev: A