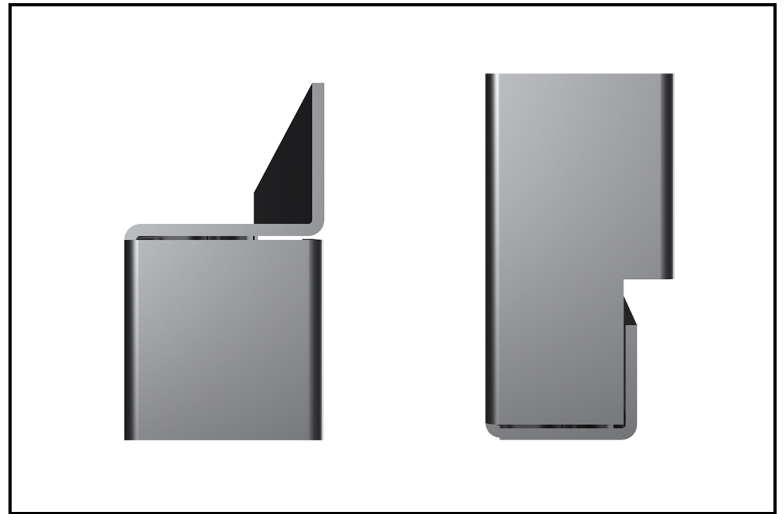


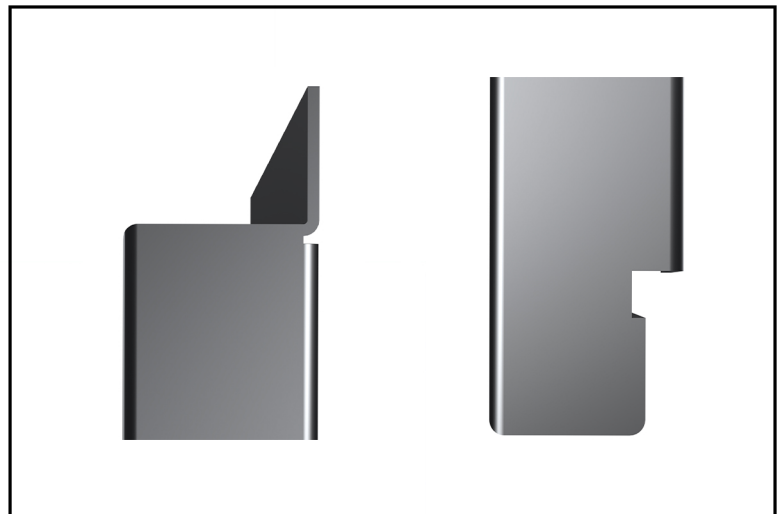
Rear View



Option 1 - Folded Corners



Option 2 - Welded Corners



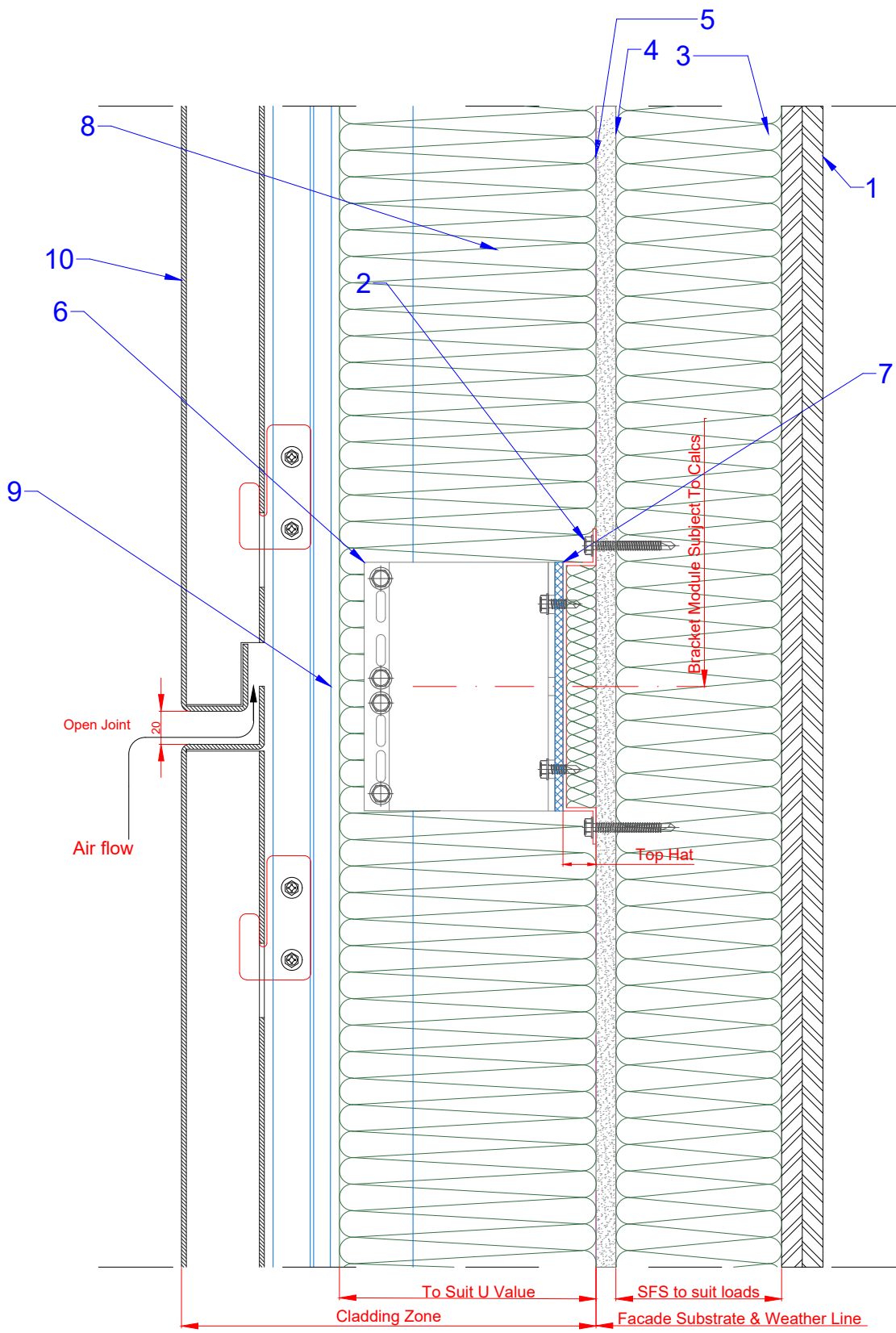
Front View



**Aluclad Systems Ltd.**

Office 32, 203-205 The Vale,  
London, W3 7QS, United Kingdom,  
info@alucladsystems.com; www.alucladsystems.com

Title: <b>Interlock 3D Cassette Panel</b>		
Drg. No: <b>INT-CAS-001</b>	Drawn By: <b>PF</b>	Date: <b>29.02.20</b>
Scale <b>1:4 @A4</b>	Checked by: <b>Aluclad Systems</b>	Rev: <b>A</b>



**Components List:**

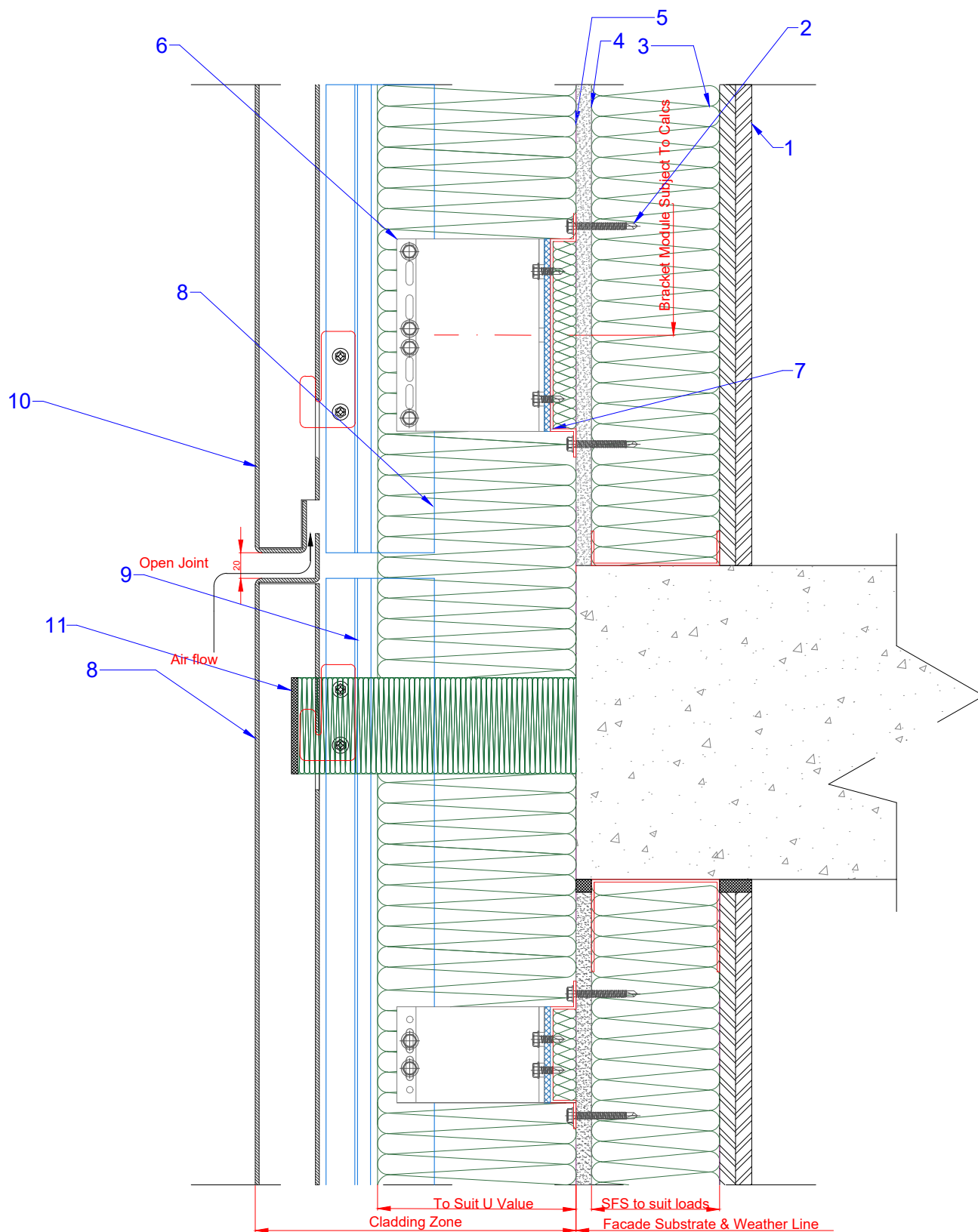
1. Plasterboards
2. SFS Studs
3. Internal Insulation
4. Calcium Silicate Boards
5. Breathing Membrane
6. Double Helping Hand Bracket
7. Top Hat with Insulation Infill
8. Mineral Wool Insulation
9. Vertical Rails and Hooks
10. Interlock Cassette Panel



**Aluclad Systems Ltd.**

Office 43, 203-205 The Vale,  
 London, W3 7QS, United Kingdom,  
 info@alucladsystems.com; www.alucladsystems.com

Title: <b>Interlock Vertical Section</b>		
Drg. No: <b>INT-CAS-002</b>	Drawn By: <b>PF</b>	Date: <b>29.02.20</b>
Scale: <b>1:4 @A4</b>	Checked by: <b>Aluclad Systems</b>	Rev: <b>A</b>



**Components List:**

1. Plasterboards
2. SFS Studs
3. Internal Insulation
4. Calcium Silicate Boards
5. Breathing Membrane
6. Double Helping Hand Bracket
7. Top Hat with Insulation Infill
8. Mineral Wool Insulation
9. Vertical Rails and Hooks
10. Discrete Cassette Panel
11. Fire Barrier

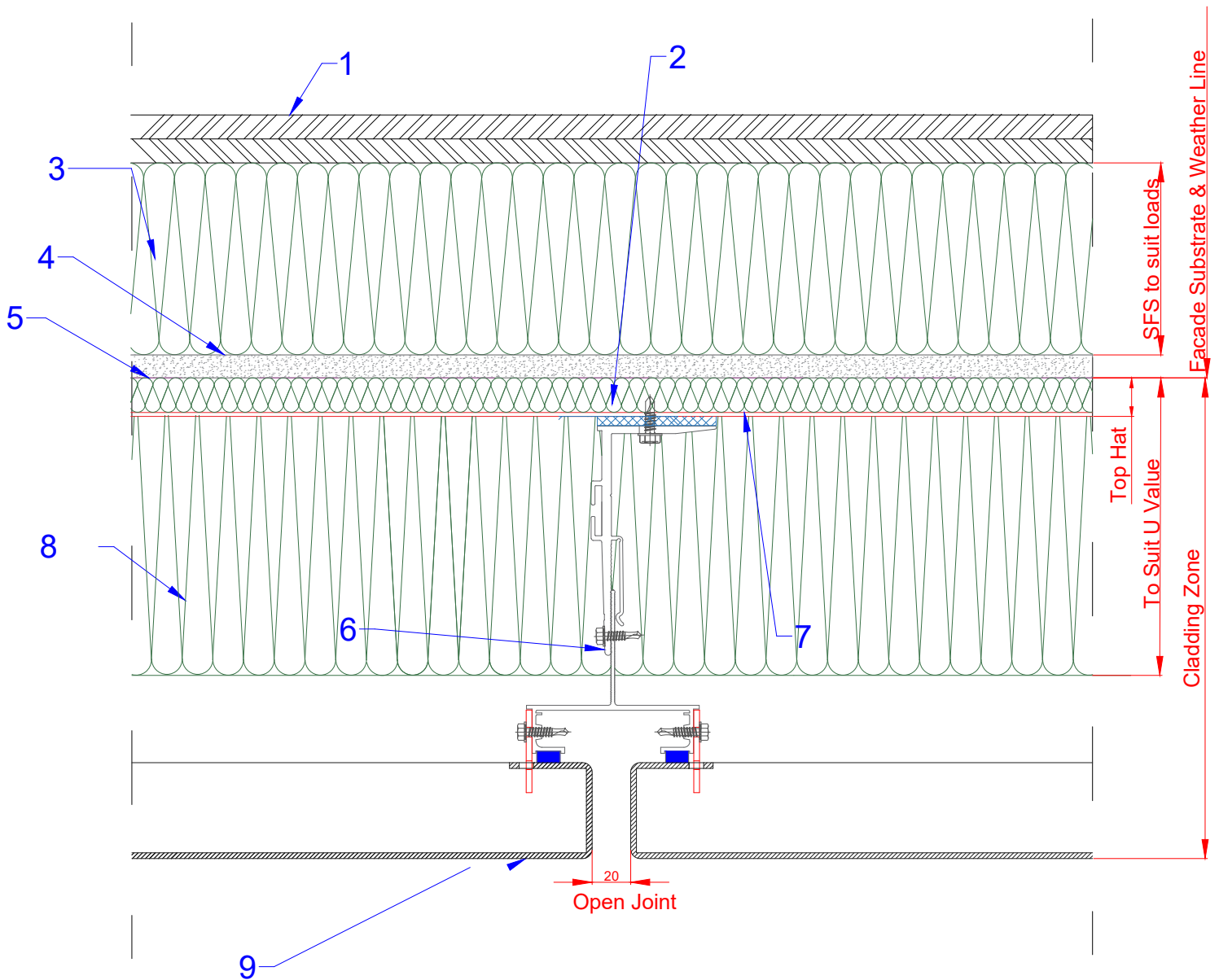


**Aluclad Systems Ltd.**

Office 32, 203-205 The Vale,  
 London, W3 7QS, United Kingdom,  
 info@alucladsystems.com; www.alucladsystems.com

Title: **Interlock Vertical Section at Slab**

Drg. No: INT-CAS-003	Drawn By: PF	Date: 29.02.20
Scale 1:4 @A4	Checked by: Aluclad Systems	Rev: A



**Components List:**

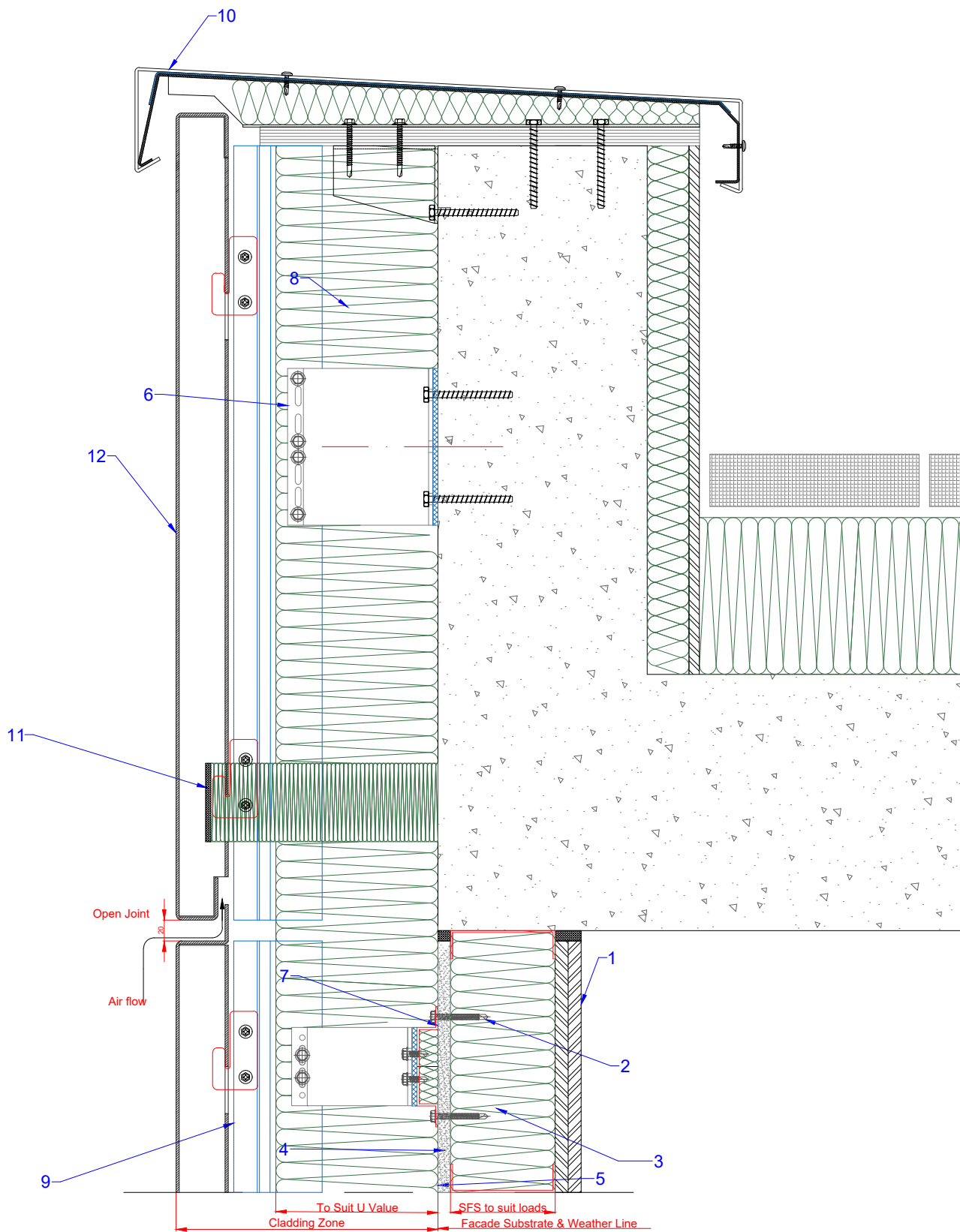
1. Plasterboards
2. SFS Studs
3. Internal Insulation
4. Calcium Silicate Boards
5. Breathing Membrane
6. Double Helping Hand Bracket
7. Top Hat with Insulation Infill
8. Mineral Wool Insulation
9. Cassette Panel



**Aluclad Systems Ltd.**

Office 32, 203-205 The Vale,  
 London, W3 7QS, United Kingdom,  
 info@alucladsystems.com; www.alucladsystems.com

Title: <b>Interlock Horizontal Section</b>		
Drg. No: <b>INT-CAS-004</b>	Drawn By: <b>PF</b>	Date: <b>29.02.20</b>
Scale <b>1:4 @A4</b>	Checked by: <b>Aluclad Systems</b>	Rev: <b>A</b>



**Components List:**

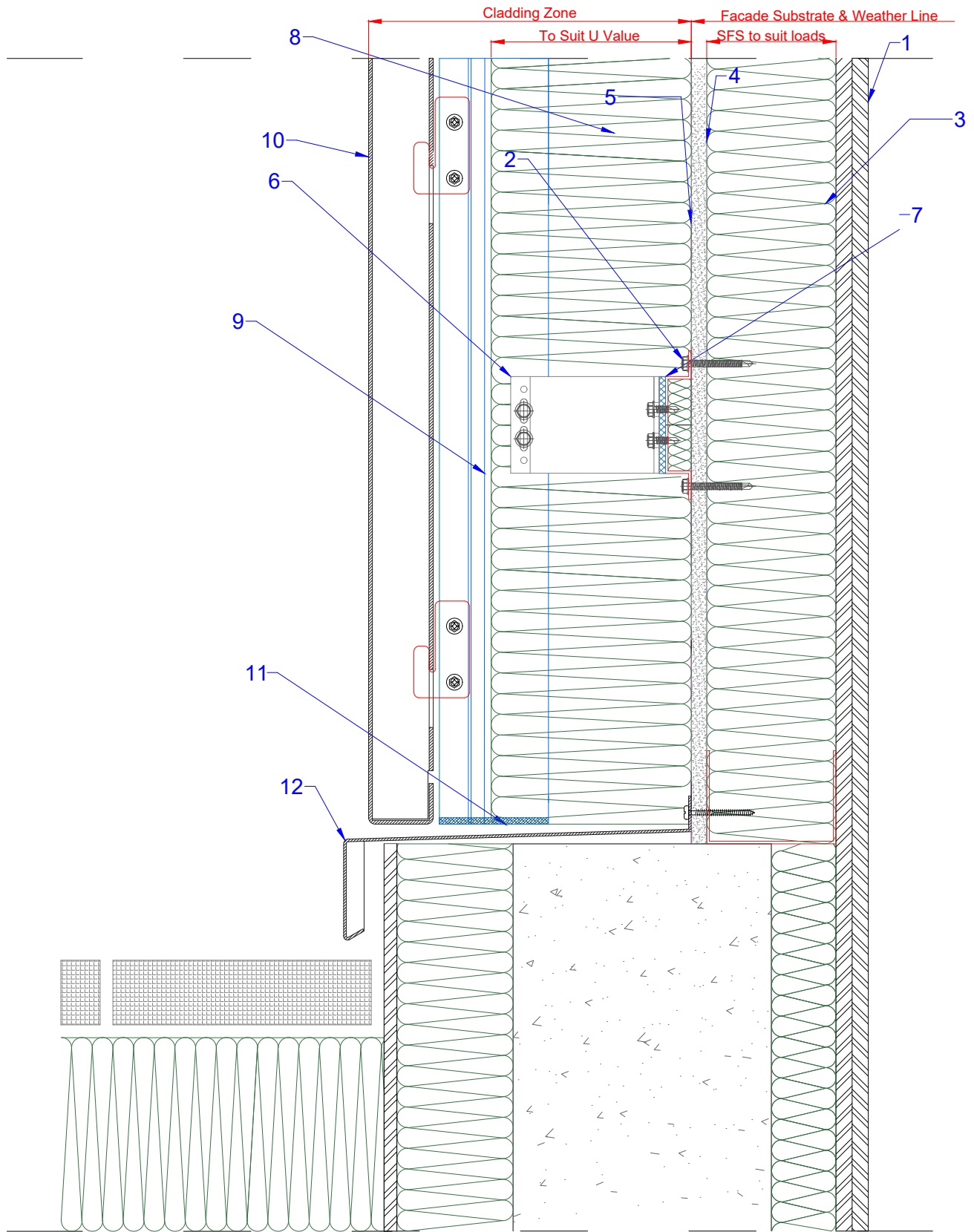
1. Plasterboards
2. SFS Studs
3. Internal Insulation
4. Calcium Silicate Boards
5. Breathing Membrane
6. Double Helping Hand Bracket
7. Top Hat with Insulation Infill
8. Mineral Wool Insulation
9. Vertical Rails and Hooks
10. Copings
11. Fire Barrier
12. Interlock Cassette Panel



**Aluclad Systems Ltd.**

Office 32, 203-205 The Vale,  
 London, W3 7QS, United Kingdom,  
 info@alucladsystems.com; www.alucladsystems.com

Title: <b>Interlock Top Copings Detail</b>		
Drg. No: <b>INT-CAS-005</b>	Drawn By: <b>PF</b>	Date: <b>29.02.20</b>
Scale: <b>1:4 @A4</b>	Checked by: <b>Aluclad Systems</b>	Rev: <b>A</b>



**Components List:**

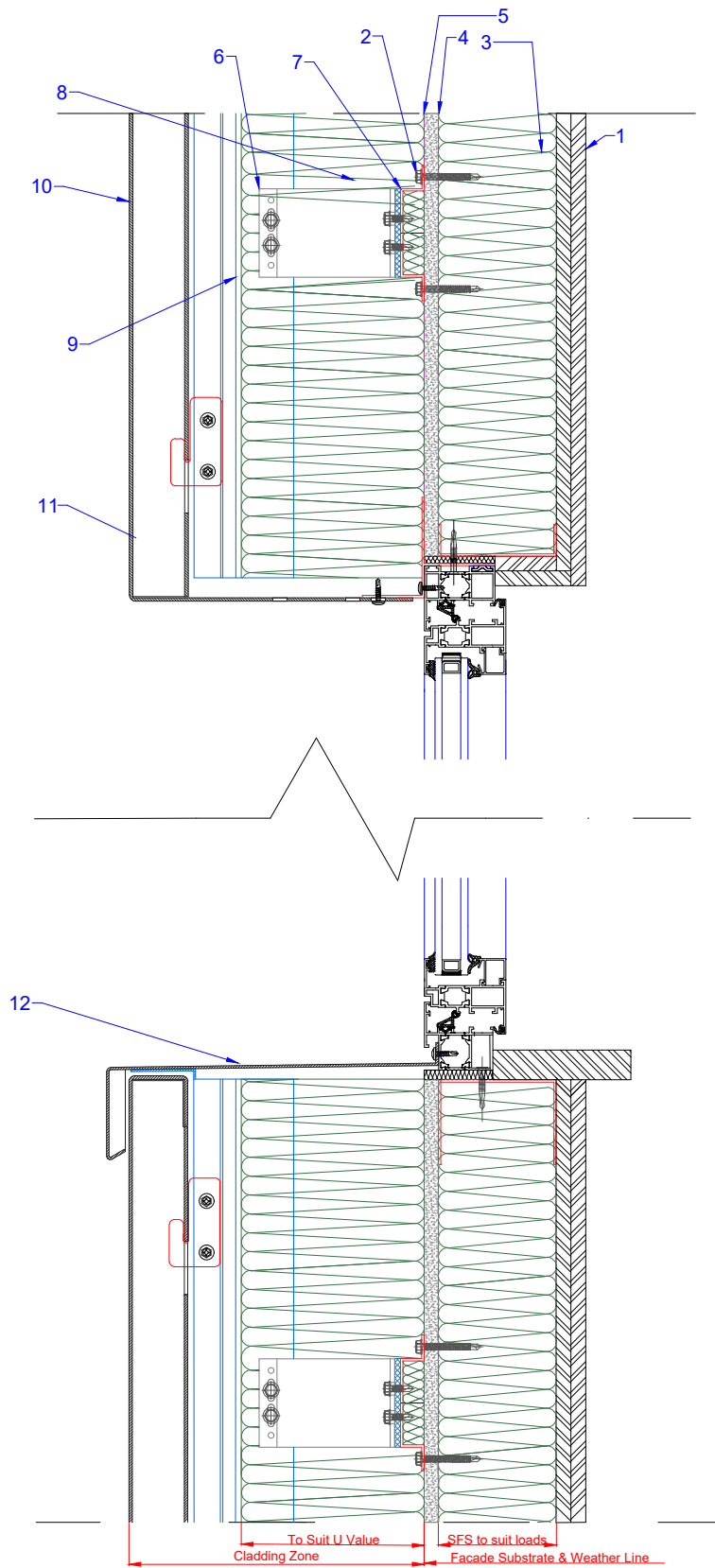
1. Plasterboards
2. SFS Studs
3. Internal Insulation
4. Calcium Silicate Boards
5. Breathing Membrane
6. Double Helping Hand Bracket
7. Top Hat with Insulation Infill
8. Mineral Wool Insulation
9. Vertical Rails and Hooks
10. Interlock Cassette Panel
11. Insect Mesh
12. Base Flashing



**Aluclad Systems Ltd.**

Office 32, 203-205 The Vale,  
 London, W3 7QS, United Kingdom,  
 info@alucladsystems.com; www.alucladsystems.com

Title: <b>Interlock Base Detail</b>		
Drg. No: <b>INT-CAS-006</b>	Drawn By: <b>PF</b>	Date: <b>29.02.20</b>
Scale <b>1:4 @A4</b>	Checked by: <b>Aluclad Systems</b>	Rev: <b>A</b>



#### Components List:

1. Plasterboards
2. SFS Studs
3. Internal Insulation
4. Calcium Silicate Boards
5. Breathing Membrane
6. Double Helping Hand Bracket
7. Top Hat with Insulation Infill
8. Mineral Wool Insulation
9. Vertical Rails and Hooks
10. Interlock Cassette Panel
11. Fire Barrier
12. Window Cill



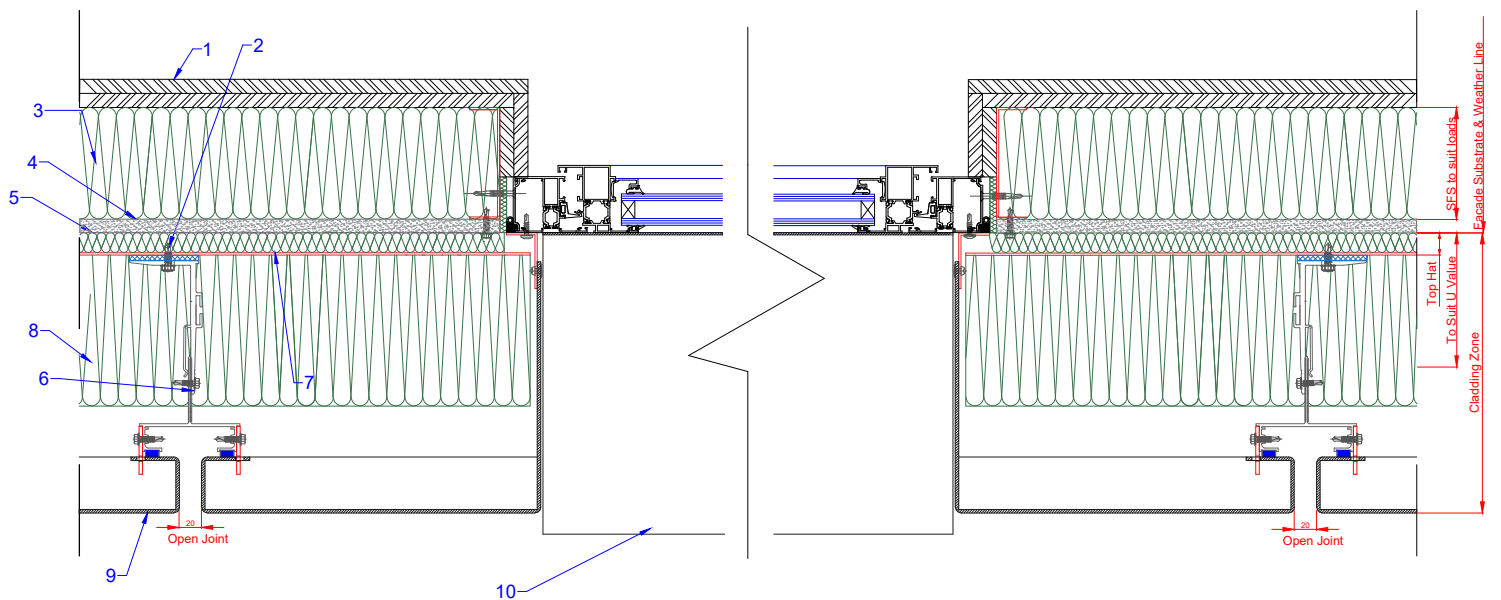
### Aluclad Systems Ltd.

Office 32, 203-205 The Vale,  
London, W3 7QS, United Kingdom,  
info@alucladsystems.com; www.alucladsystems.com

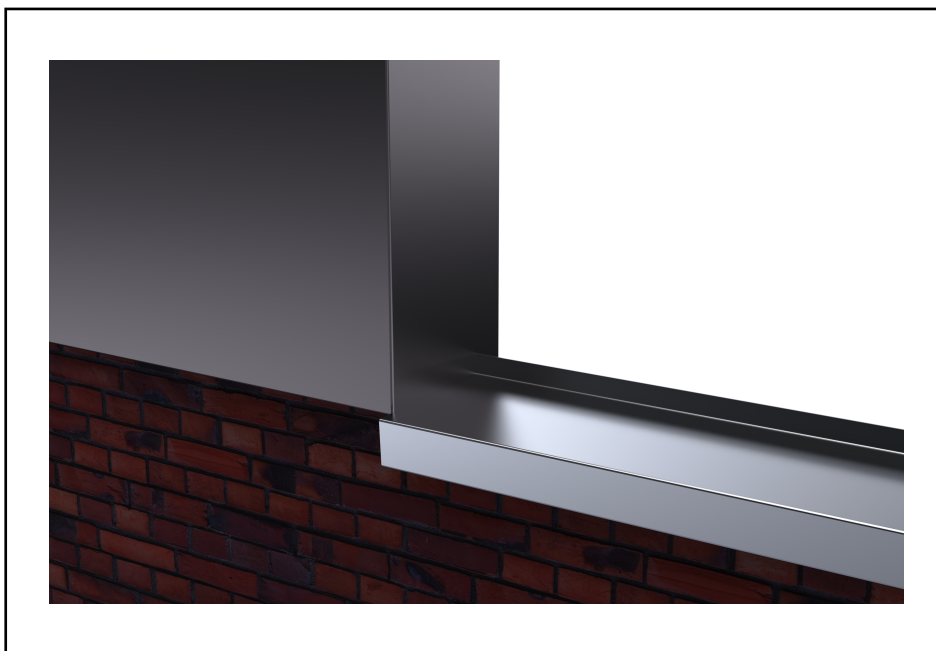
Title: **Interlock Vertical Section Through Window**

Drg. No: INT-CAS-007	Drawn By: PF	Date: 29.02.20
-------------------------	-----------------	-------------------

Scale 1:4 @A4	Checked by: Aluclad Systems	Rev: A
------------------	--------------------------------	-----------



### Real View



#### Components List:

1. Plasterboards
2. SFS Studs
3. Internal Insulation
4. Calcium Silicate Boards
5. Breathing Membrane
6. Double Helping Hand Bracket
7. Top Hat with Insulation Infill
8. Mineral Wool Insulation
9. Cassette Panel
10. Window Cill



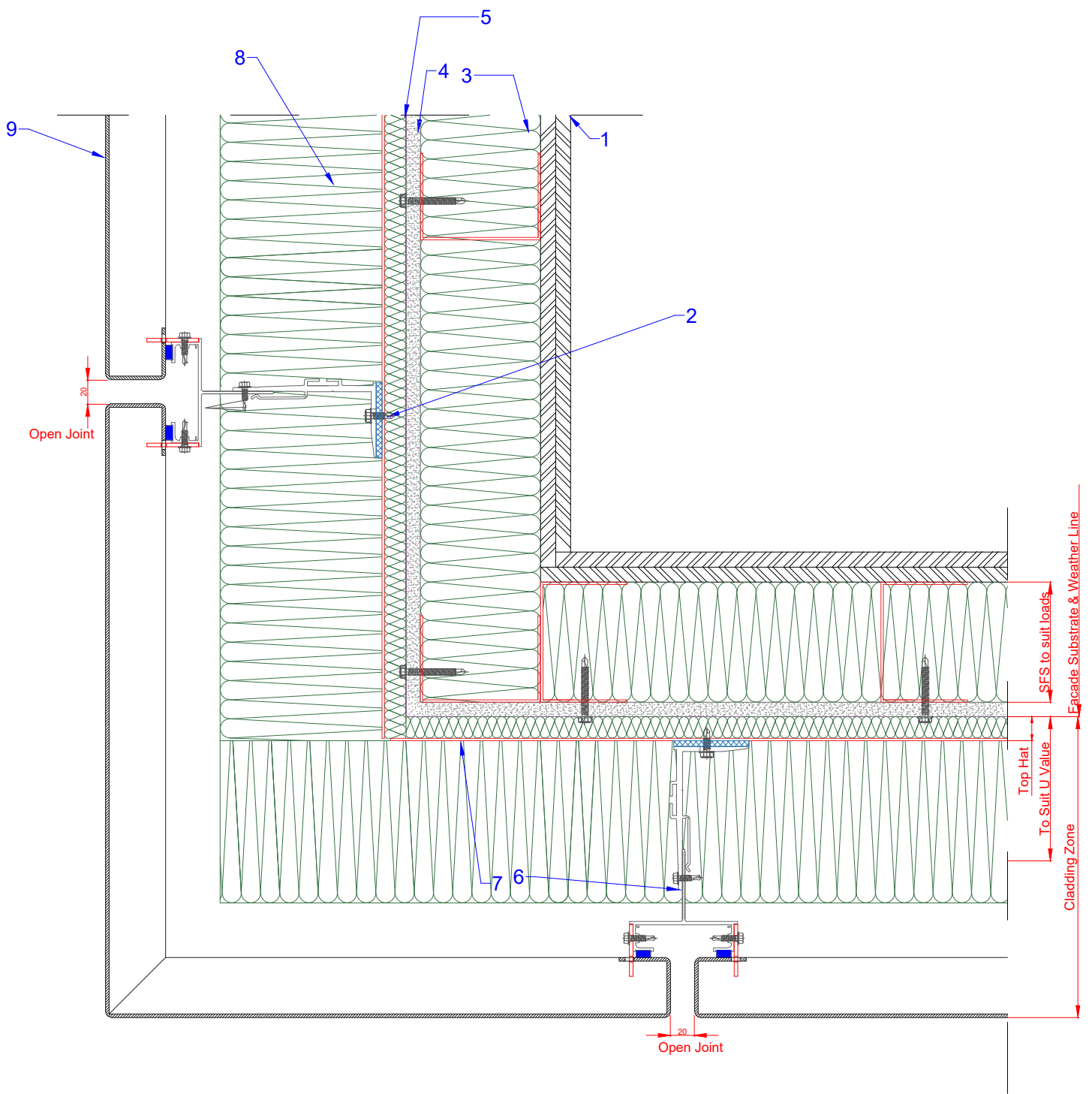
#### Aluclad Systems Ltd.

Office 32, 203-205 The Vale,  
 London, W3 7QS, United Kingdom,  
 info@alucladsystems.com; www.alucladsystems.com

Title: **Interlock Horizontal Section Through Window**

Drg. No: INT-CAS-008	Drawn By: PF	Date: 29.02.20
Scale 1:4 @A4	Checked by: Aluclad Systems	Rev: A





#### Components List:

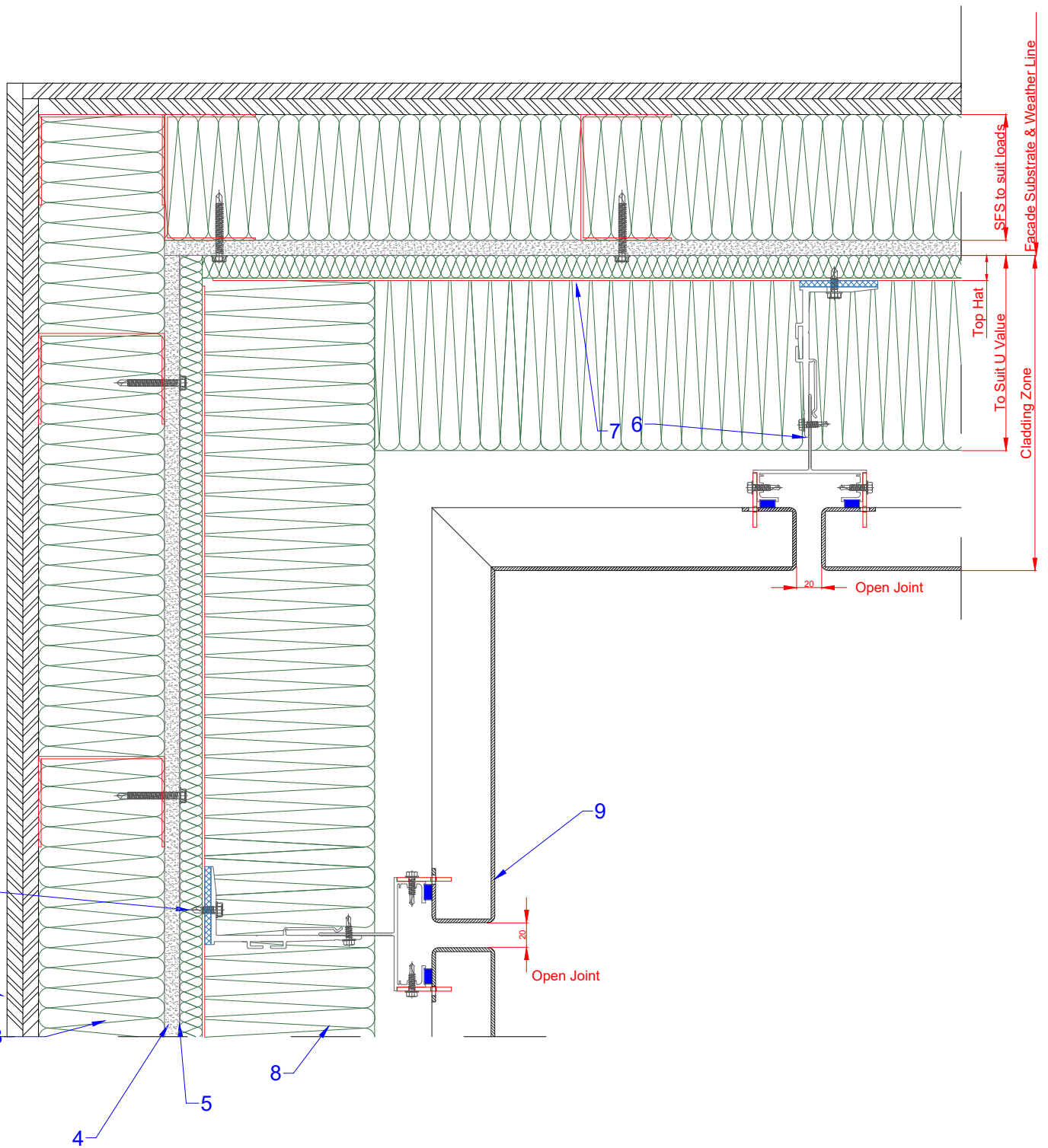
1. Plasterboards
2. SFS Studs
3. Internal Insulation
4. Calcium Silicate Boards
5. Breathing Membrane
6. Double Helping Hand Bracket
7. Top Hat with Insulation Infill
8. Mineral Wool Insulation
9. Cassette Panel



### Aluclad Systems Ltd.

Office 32, 203-205 The Vale,  
London, W3 7QS, United Kingdom,  
info@alucladsystems.com; www.alucladsystems.com

Title: <b>Interlock External Corner</b>		
Drg. No: <b>INT-CAS-009</b>	Drawn By: <b>PF</b>	Date: <b>29.02.20</b>
Scale <b>1:4 @A4</b>	Checked by: <b>Aluclad Systems</b>	Rev: <b>A</b>



**Components List:**

1. Plasterboards
2. SFS Studs
3. Internal Insulation
4. Calcium Silicate Boards
5. Breathing Membrane
6. Double Helping Hand Bracket
7. Top Hat with Insulation Infill
8. Mineral Wool Insulation
9. Cassette Panel

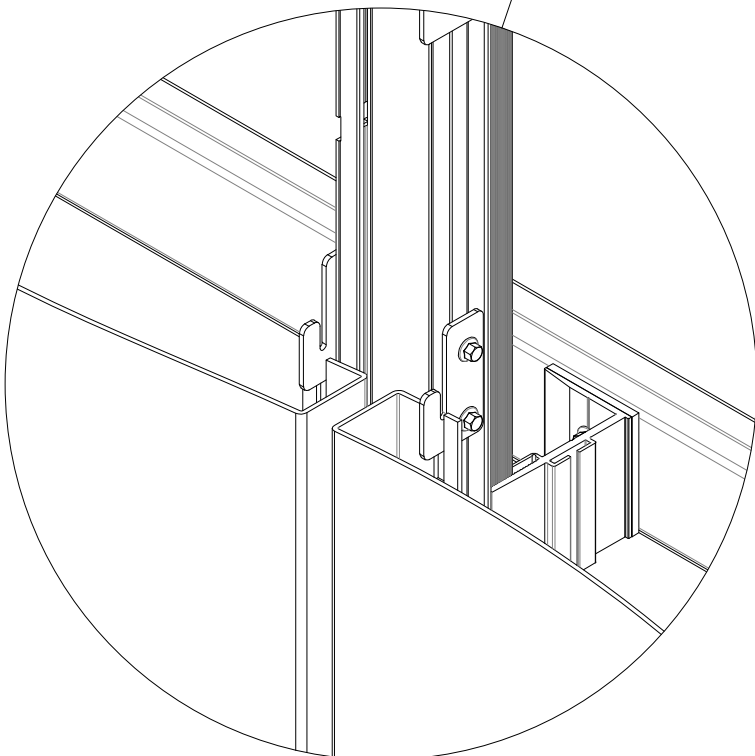
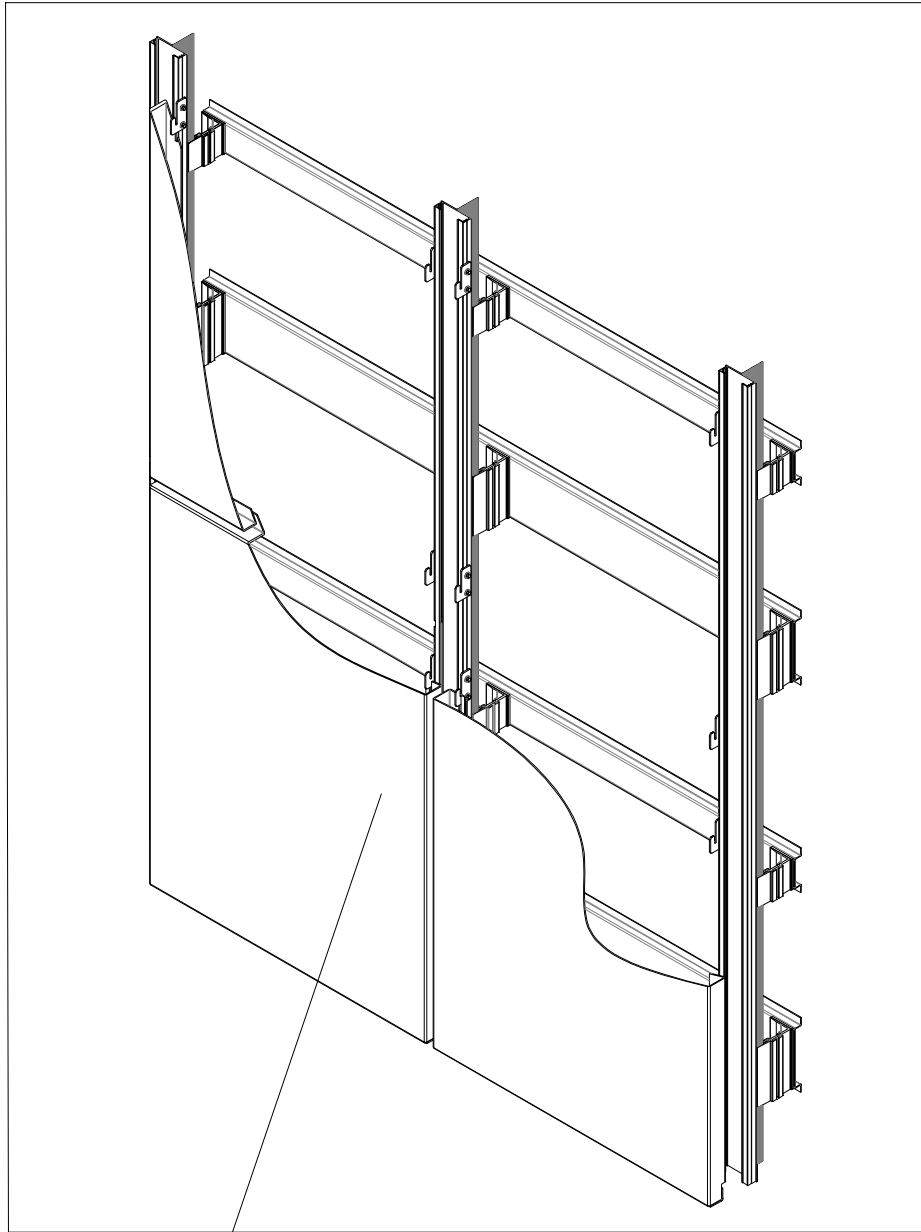


**Aluclad Systems Ltd.**

Office 32, 203-205 The Vale,  
 London, W3 7QS, United Kingdom,  
 info@alucladsystems.com; www.alucladsystems.com

Title: <b>Interlock Internal Corner</b>		
Drg. No: <b>INT-CAS-010</b>	Drawn By: <b>PF</b>	Date: <b>29.02.20</b>
Scale <b>1:4 @A4</b>	Checked by: <b>Aluclad Systems</b>	Rev: <b>A</b>

### 3D View

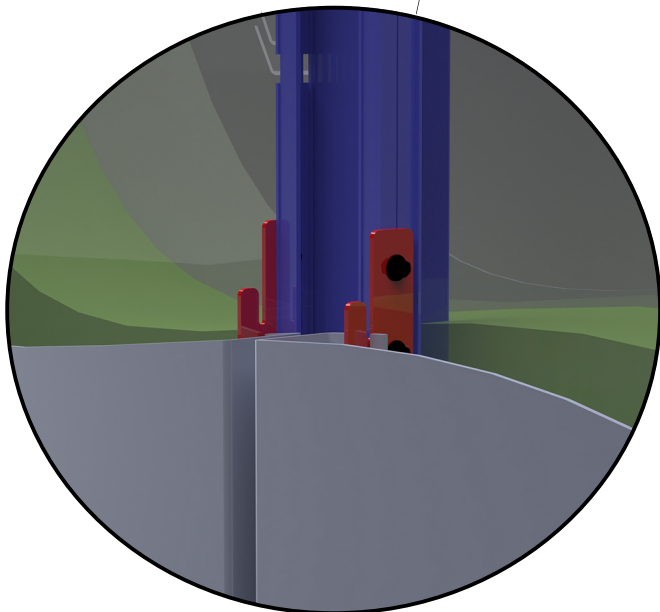
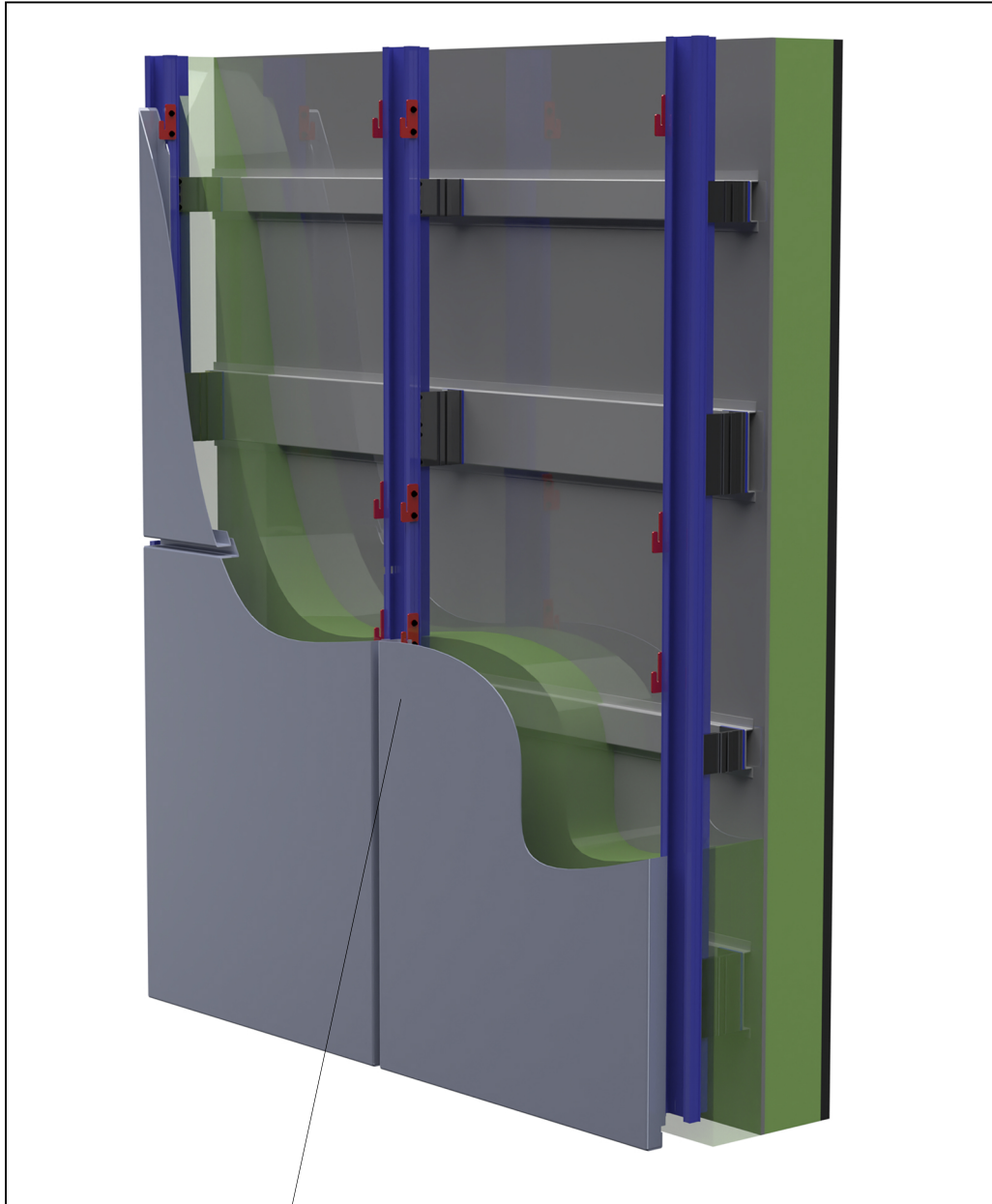


### Aluclad Systems Ltd.

Office 32, 203-205 The Vale,  
London, W3 7QS, United Kingdom,  
info@alucladsystems.com; www.alucladsystems.com

Title: <b>Interlock Elevation 3D</b>		
Drg. No: <b>INT-CAS-011</b>	Drawn By: <b>PF</b>	Date: <b>29.02.20</b>
Scale <b>1:4 @A4</b>	Checked by: <b>Aluclad Systems</b>	Rev: <b>A</b>

### 3D Real View



### Aluclad Systems Ltd.

Office 32, 203-205 The Vale,  
London, W3 7QS, United Kingdom,  
info@alucladsystems.com; www.alucladsystems.com

Title:  
**Interlock Elevation 3D - "Real View"**

Drg. No: INT-CAS-012	Drawn By: PF	Date: 29.02.20
Scale 1:4 @A4	Checked by: Aluclad Systems	Rev: A