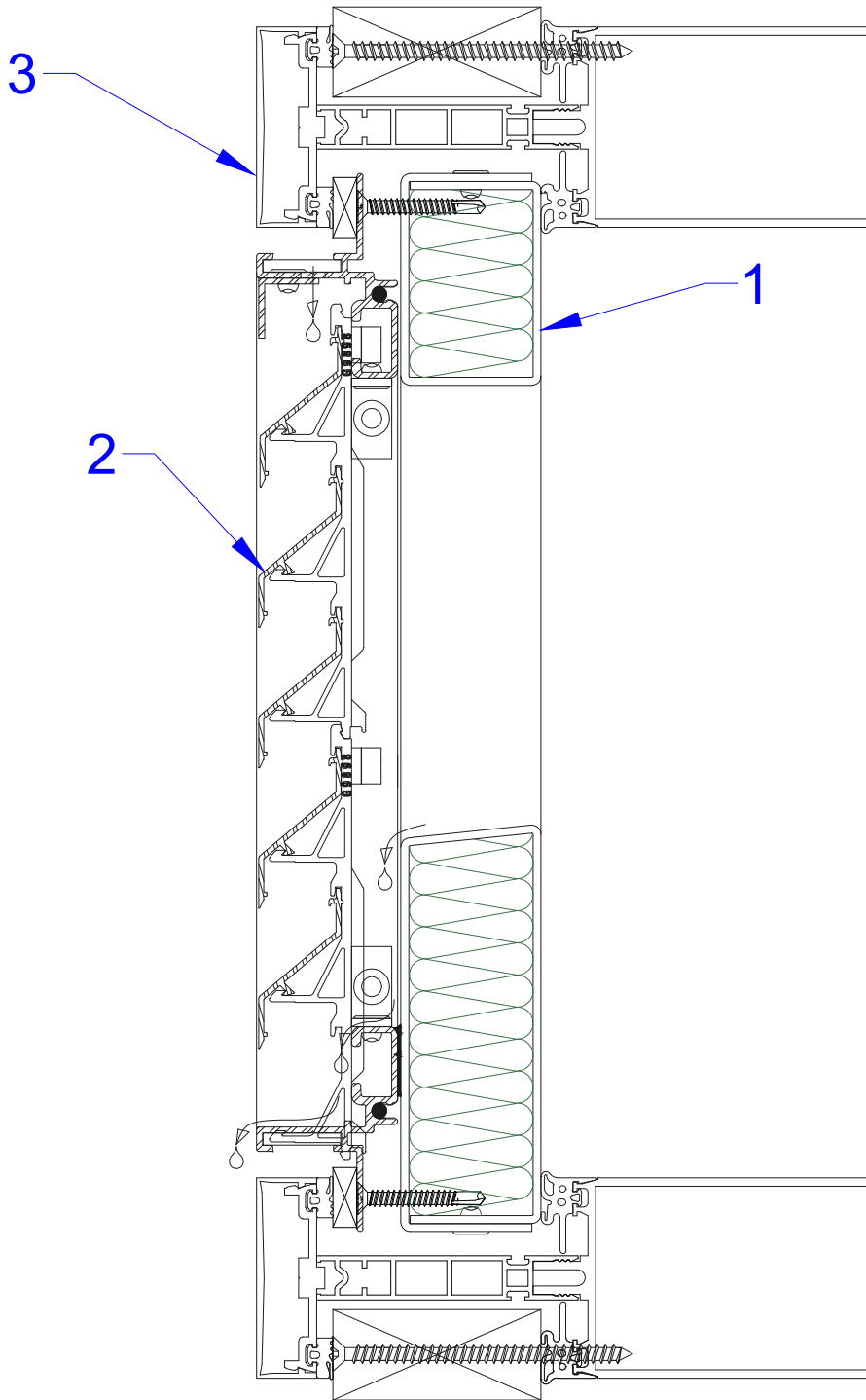


Vertical Section Through Typical Detail



Components List:

1. Insulated Backing Panels
2. Louvers System
3. Curtain Wall System



Aluclad Systems Ltd.

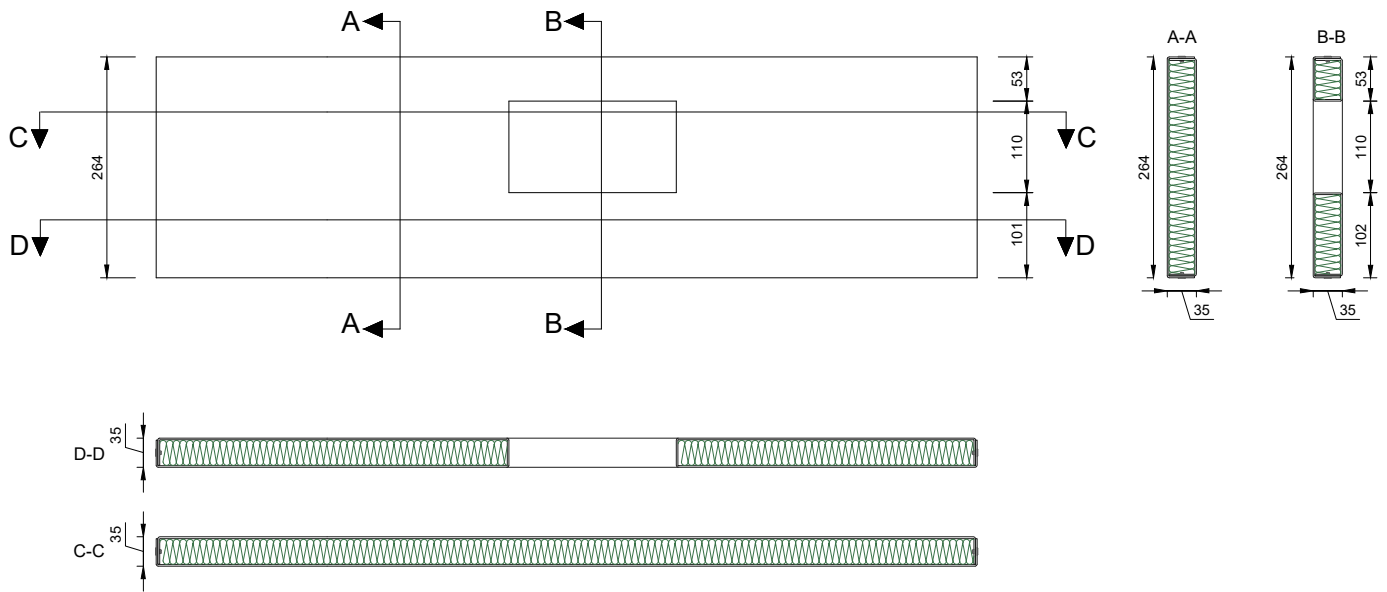
Office 32, 203-205 The Vale,
London, W3 7QS, United Kingdom,
info@alucladsystems.com; www.alucladsystems.com

Title: **Aluclad Insulated Backing Panels
Typical Detail**

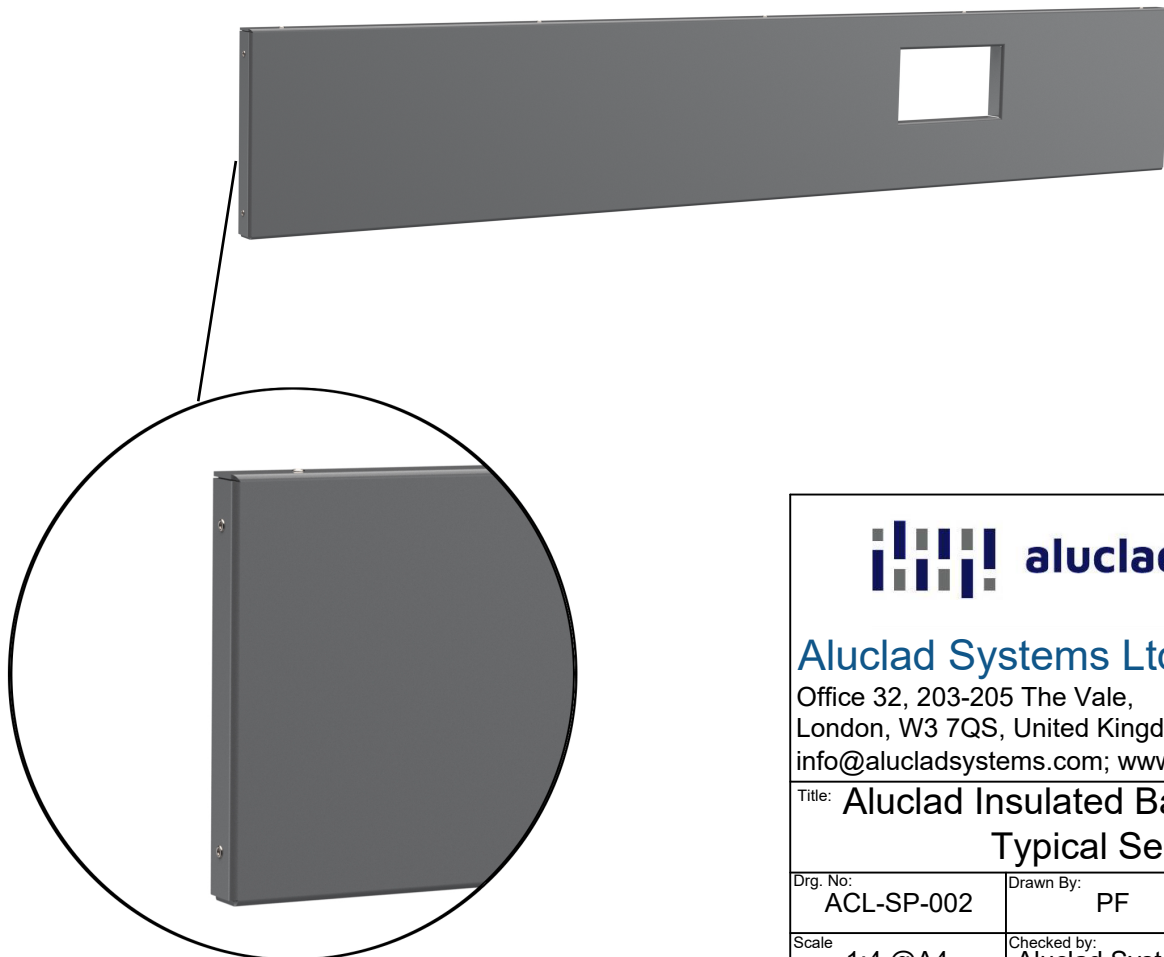
Dwg. No: ACL-SP-001	Drawn By: PF	Date: 10.05.20
------------------------	-----------------	-------------------

Scale 1:4 @A4	Checked by: Aluclad Systems	Rev: A
------------------	--------------------------------	-----------

Sections Through Insulated Backing Panel



Isometric View of the Insulated Backing Panel



Aluclad Systems Ltd.

Office 32, 203-205 The Vale,
London, W3 7QS, United Kingdom,
info@alucladsystems.com; www.alucladsystems.com

Title: **Aluclad Insulated Backing Panels
Typical Section**

Dwg. No: ACL-SP-002	Drawn By: PF	Date: 10.05.20
Scale 1:4 @A4	Checked by: Aluclad Systems	Rev: A