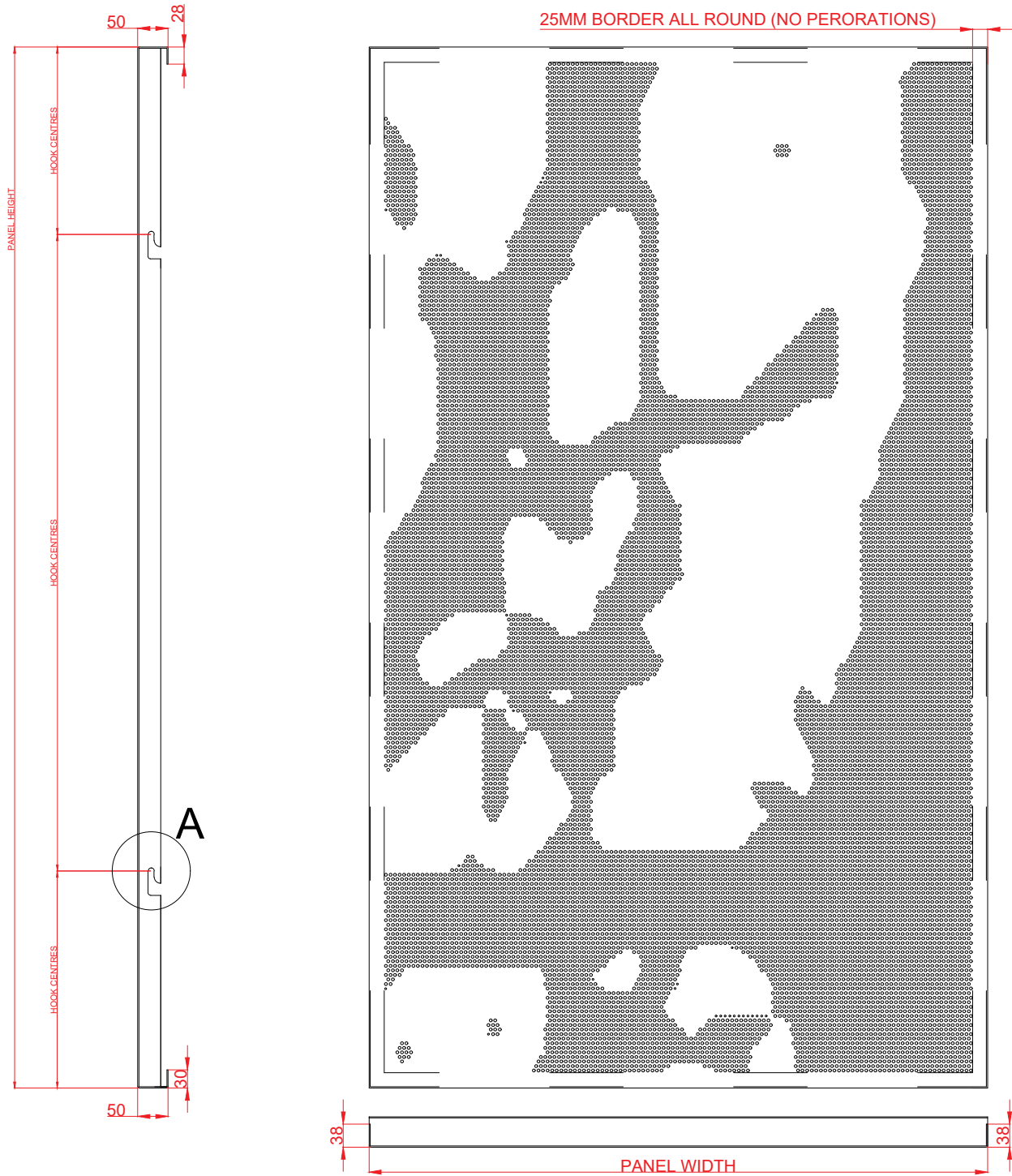
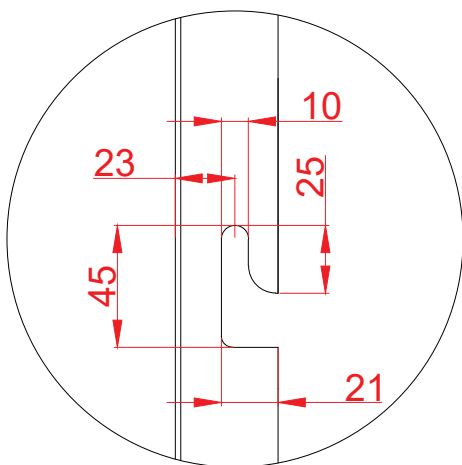


# Perforated Panel Typical Section



Detail A



**Aluclad Systems Ltd.**

Office 32, 203-205 The Vale,  
 London, W3 7QS, United Kingdom,  
 info@alucladsystems.com; www.alucladsystems.com

Title: <b>Aluclad Perforated Panel Detail</b>		
Drg. No: <b>ACL-PER-001</b>	Drawn By: <b>PF</b>	Date: <b>29.02.20</b>
Scale <b>1:4 @A4</b>	Checked by: <b>Aluclad Systems</b>	Rev: <b>A</b>