

Rear View



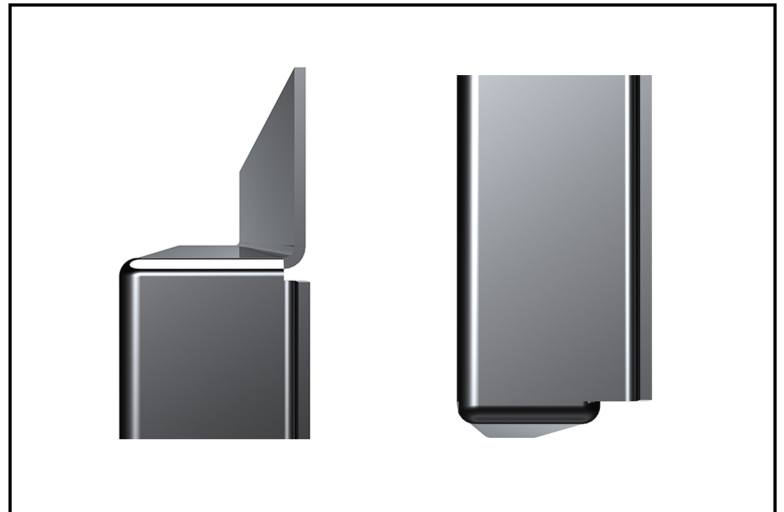
Front View



Option 1 - Folded Corners



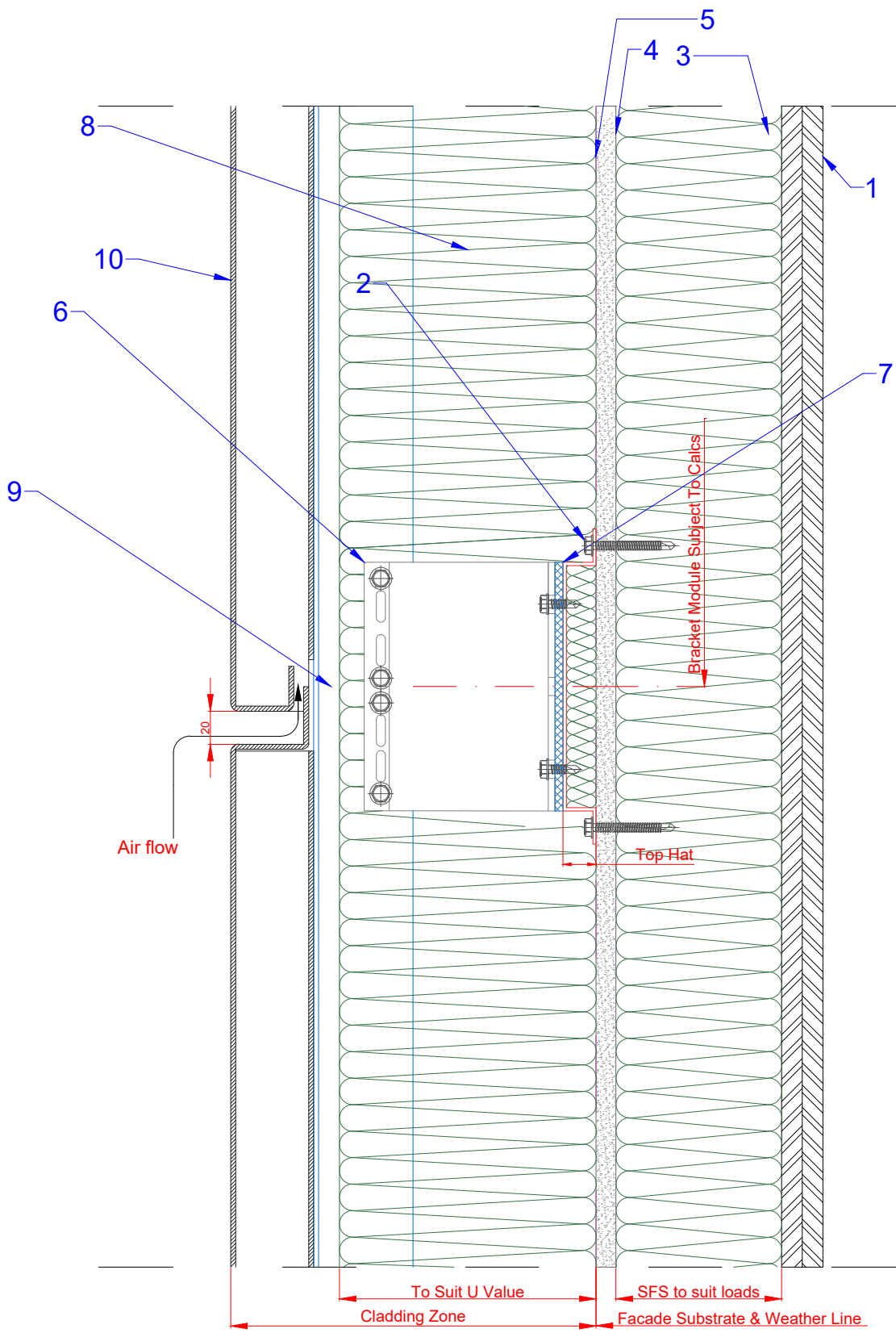
Option 2 - Welded Corners



**Aluclad Systems Ltd.**

Office 32, 203-205 The Vale,  
London, W3 7QS, United Kingdom,  
info@alucladsystems.com; www.alucladsystems.com

Title: <b>Discrete 3D Cassette Panel</b>		
Drg. No: <b>DIS-CAS-001</b>	Drawn By: <b>PF</b>	Date: <b>29.02.20</b>
Scale <b>1:4 @A4</b>	Checked by: <b>Aluclad Systems</b>	Rev: <b>A</b>



**Components List:**

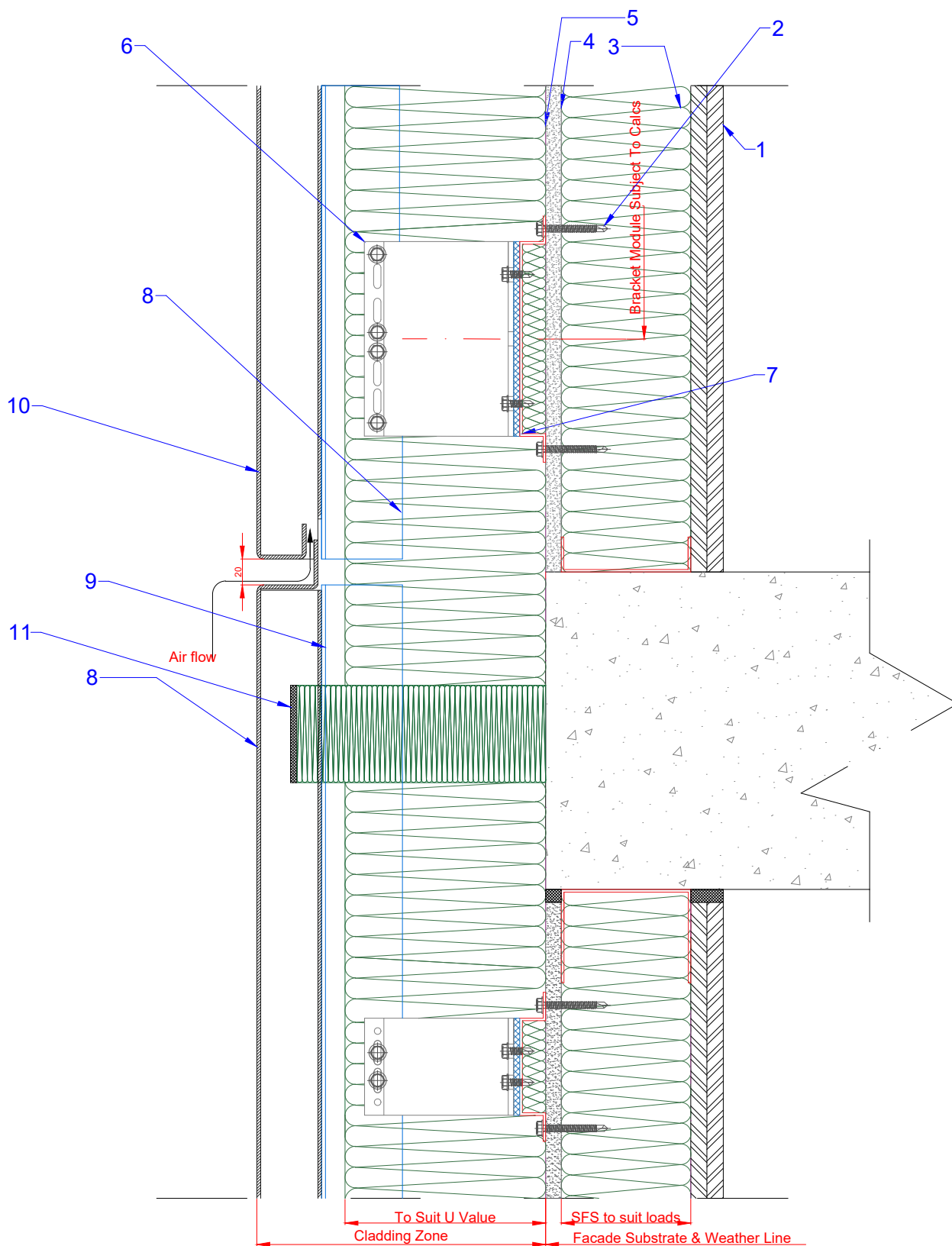
1. Plasterboards
2. SFS Studs
3. Internal Insulation
4. Calcium Silicate Boards
5. Breathing Membrane
6. Double Helping Hand Bracket
7. Top Hat with Insulation Infill
8. Mineral Wool Insulation
9. Vertical Rails
10. Discrete Cassette Panel



**Aluclad Systems Ltd.**

Office 32, 203-205 The Vale,  
 London, W3 7QS, United Kingdom,  
 info@alucladsystems.com; www.alucladsystems.com

Title: <b>Discrete Vertical Section</b>		
Drg. No: <b>DIS-CAS-002</b>	Drawn By: <b>PF</b>	Date: <b>29.02.20</b>
Scale: <b>1:4 @A4</b>	Checked by: <b>Aluclad Systems</b>	Rev: <b>A</b>



**Components List:**

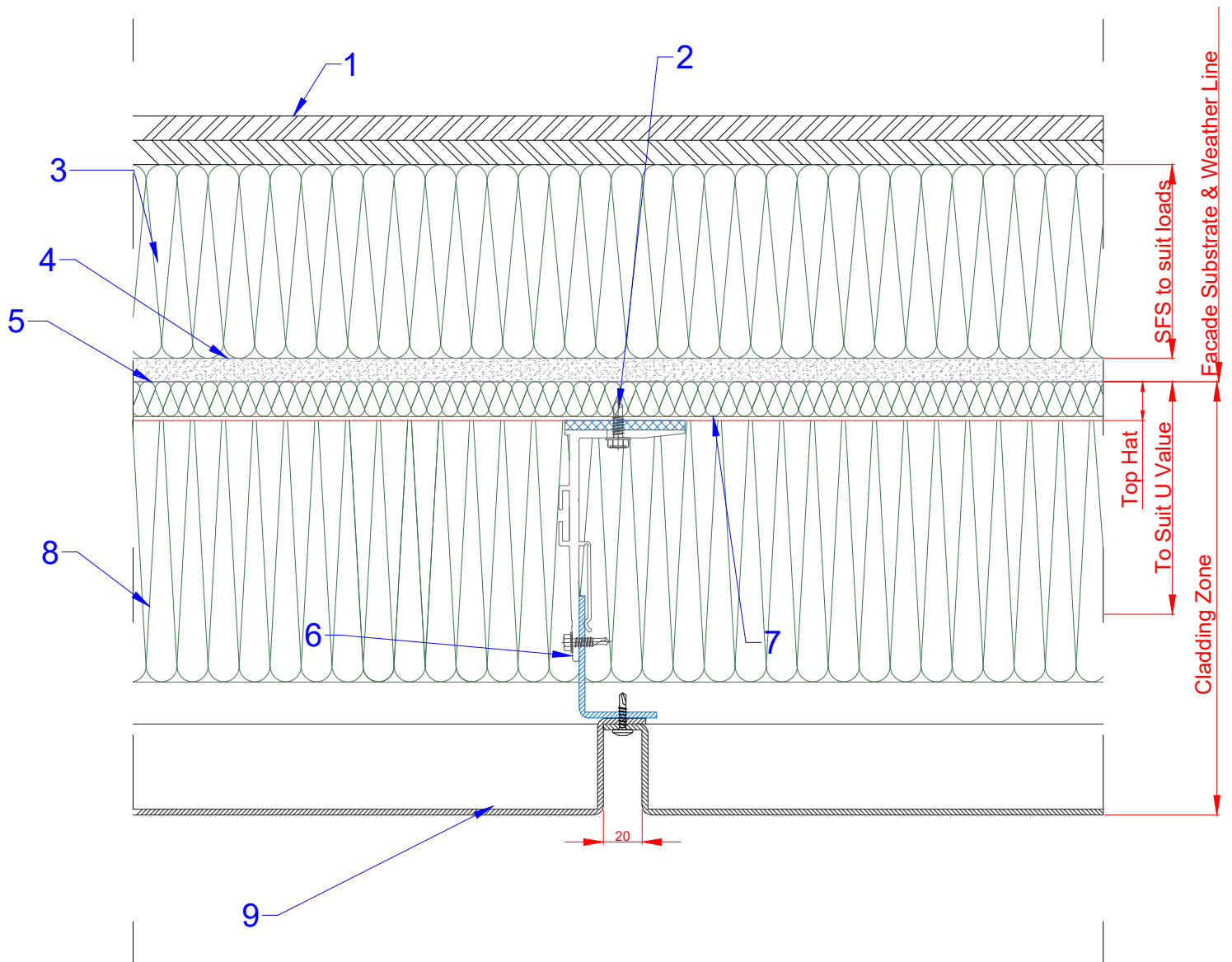
1. Plasterboards
2. SFS Studs
3. Internal Insulation
4. Calcium Silicate Boards
5. Breathing Membrane
6. Double Helping Hand Bracket
7. Top Hat with Insulation Infill
8. Mineral Wool Insulation
9. Vertical Rails
10. Discrete Cassette Panel
11. Fire Barrier



**Aluclad Systems Ltd.**

Office 32, 203-205 The Vale,  
 London, W3 7QS, United Kingdom,  
 info@alucladsystems.com; www.alucladsystems.com

Title: <b>Discrete Vertical Section at Slab</b>		
Drg. No: <b>DIS-CAS-003</b>	Drawn By: <b>PF</b>	Date: <b>29.02.20</b>
Scale <b>1:4 @A4</b>	Checked by: <b>Aluclad Systems</b>	Rev: <b>A</b>



**Components List:**

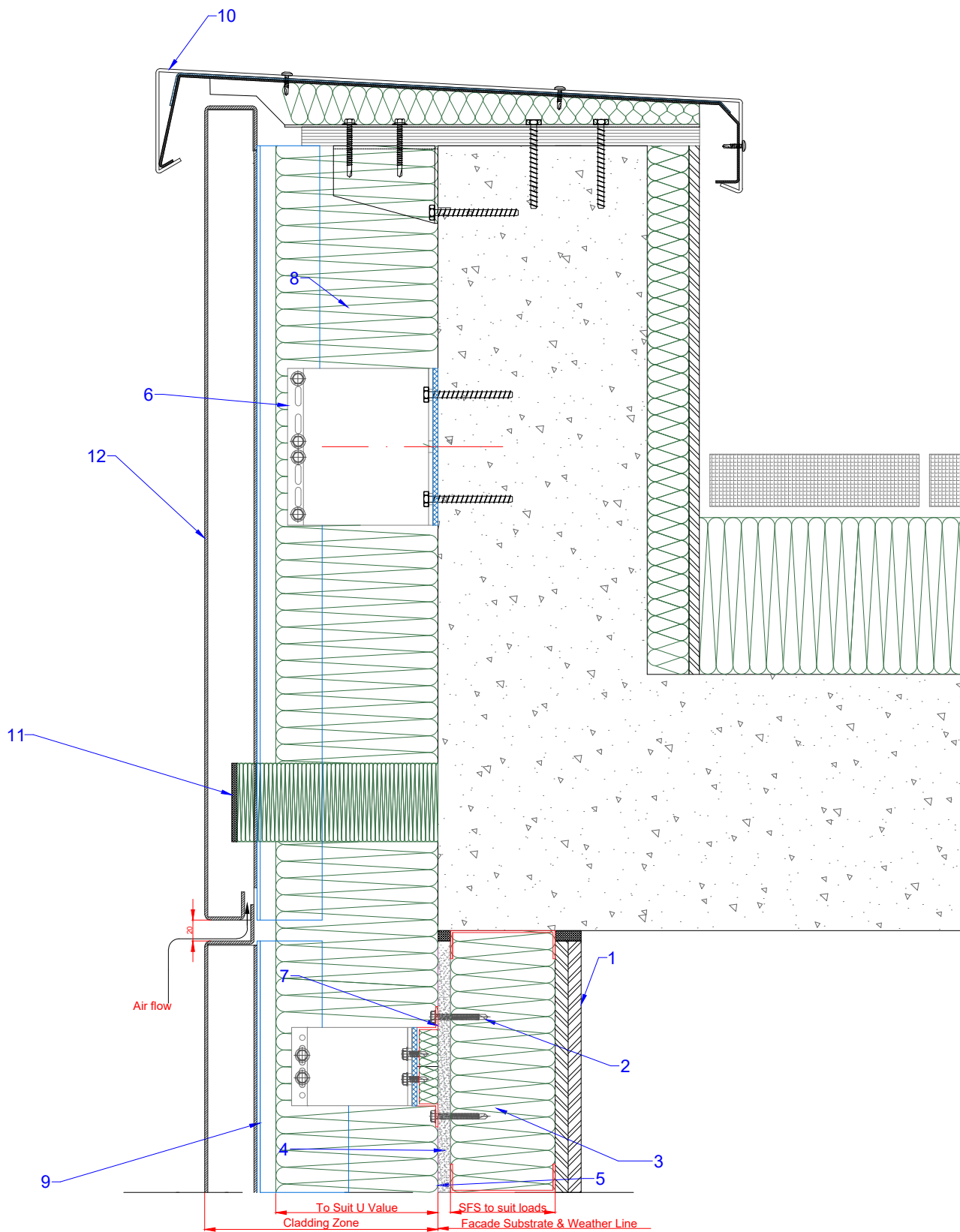
1. Plasterboards
2. SFS Studs
3. Internal Insulation
4. Calcium Silicate Boards
5. Breathing Membrane
6. Double Helping Hand Bracket
7. Top Hat with Insulation Infill
8. Mineral Wool Insulation
9. Discrete Cassette Panel



**Aluclad Systems Ltd.**

Office 32, 203-205 The Vale,  
 London, W3 7QS, United Kingdom,  
 info@alucladsystems.com; www.alucladsystems.com

Title: <b>Discrete Horizontal Section</b>		
Drg. No: <b>DIS-CAS-004</b>	Drawn By: <b>PF</b>	Date: <b>29.02.20</b>
Scale <b>1:4 @A4</b>	Checked by: <b>Aluclad Systems</b>	Rev: <b>A</b>



**Components List:**

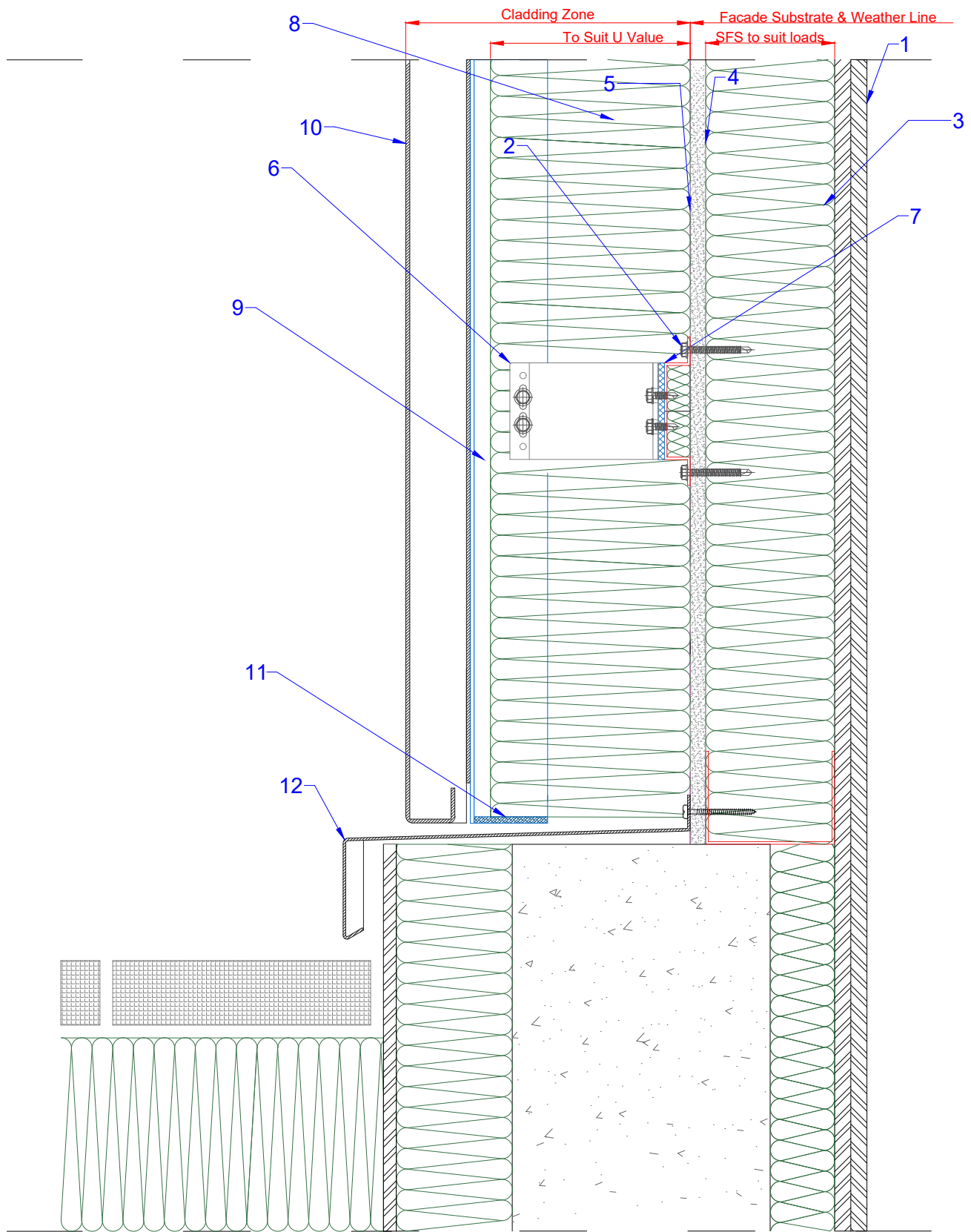
1. Plasterboards
2. SFS Studs
3. Internal Insulation
4. Calcium Silicate Boards
5. Breathing Membrane
6. Double Helping Hand Bracket
7. Top Hat with Insulation Infill
8. Mineral Wool Insulation
9. Vertical Rails
10. Copings
11. Fire Barrier
12. Discrete Cassette Panel



**Aluclad Systems Ltd.**

Office 32, 203-205 The Vale,  
 London, W3 7QS, United Kingdom,  
 info@alucladsystems.com; www.alucladsystems.com

Title: <b>Discrete Top Copings Detail</b>		
Drg. No: DIS-CAS-005	Drawn By: PF	Date: 29.02.20
Scale 1:4 @A4	Checked by: Aluclad Systems	Rev: A



**Components List:**

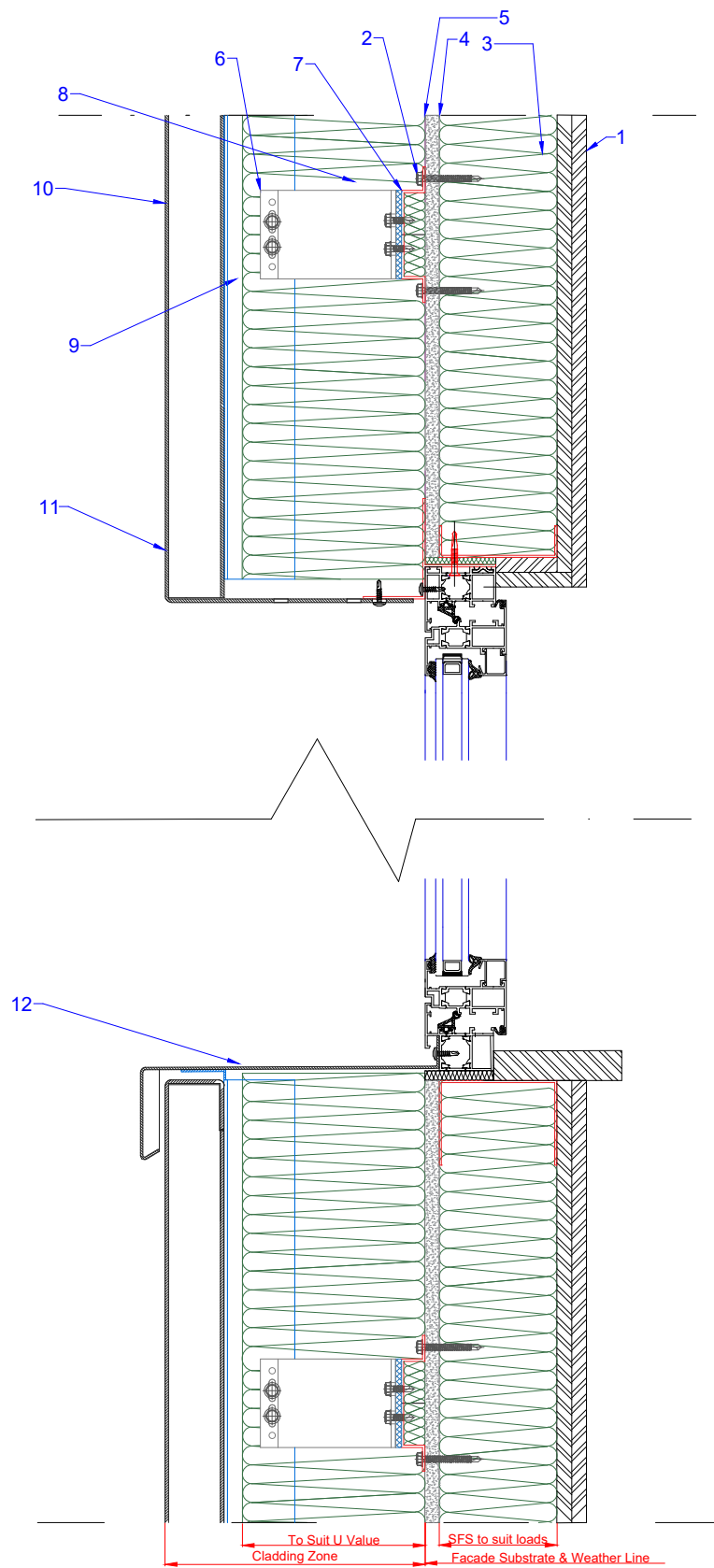
1. Plasterboards
2. SFS Studs
3. Internal Insulation
4. Calcium Silicate Boards
5. Breathing Membrane
6. Double Helping Hand Bracket
7. Top Hat with Insulation Infill
8. Mineral Wool Insulation
9. Vertical Rails
10. Discrete Cassette Panel
11. Insect Mesh
12. Base Flashing



**Aluclad Systems Ltd.**

Office 32, 203-205 The Vale,  
 London, W3 7QS, United Kingdom,  
 info@alucladsystems.com; www.alucladsystems.com

Title: <b>Discrete Base Detail</b>		
Drg. No: DIS-CAS-006	Drawn By: PF	Date: 29.02.20
Scale 1:4 @A4	Checked by: Aluclad Systems	Rev: A



**Components List:**

1. Plasterboards
2. SFS Studs
3. Internal Insulation
4. Calcium Silicate Boards
5. Breathing Membrane
6. Double Helping Hand Bracket
7. Top Hat with Insulation Infill
8. Mineral Wool Insulation
9. Vertical Rails
10. Discrete Cassette Panel
11. Fire Barrier
12. Window Cill

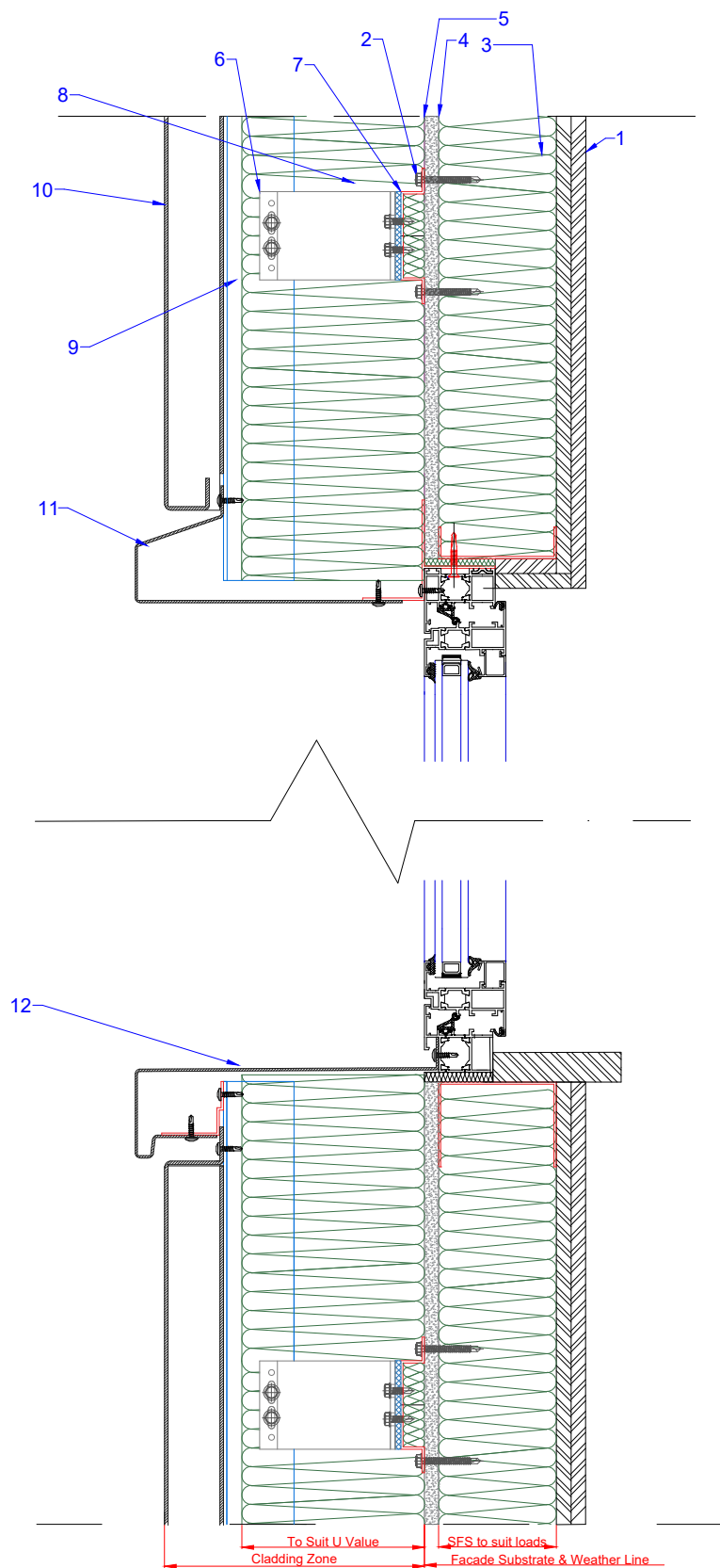


**Aluclad Systems Ltd.**

Office 32, 203-205 The Vale,  
 London, W3 7QS, United Kingdom,  
 info@alucladsystems.com; www.alucladsystems.com

Title: **Discrete Vertical Section Through Window**

Drg. No: DIS-CAS-007	Drawn By: PF	Date: 29.02.20
Scale 1:4 @A4	Checked by: Aluclad Systems	Rev: A



**Components List:**

1. Plasterboards
2. SFS Studs
3. Internal Insulation
4. Calcium Silicate Boards
5. Breathing Membrane
6. Double Helping Hand Bracket
7. Top Hat with Insulation Infill
8. Mineral Wool Insulation
9. Vertical Rails
10. Discrete Cassette Panel
11. Fire Barrier
12. Window Cill



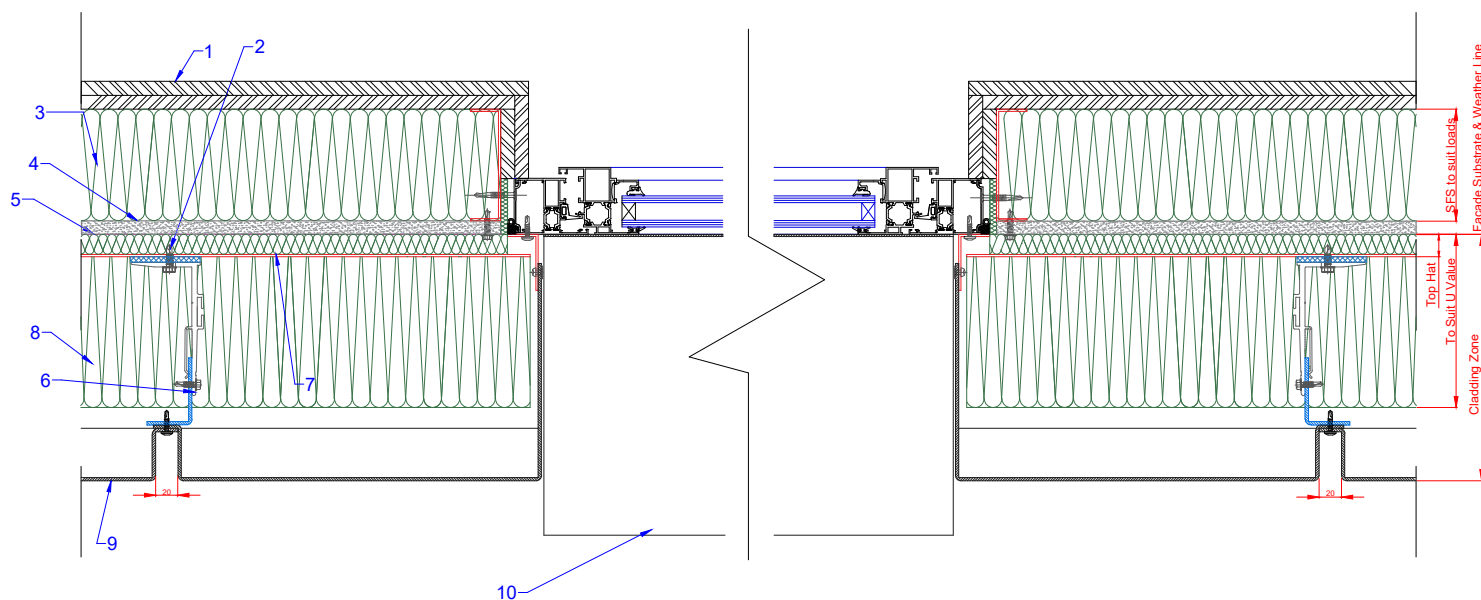
**Aluclad Systems Ltd.**

Office 32, 203-205 The Vale,  
 London, W3 7QS, United Kingdom,  
 info@alucladsystems.com; www.alucladsystems.com

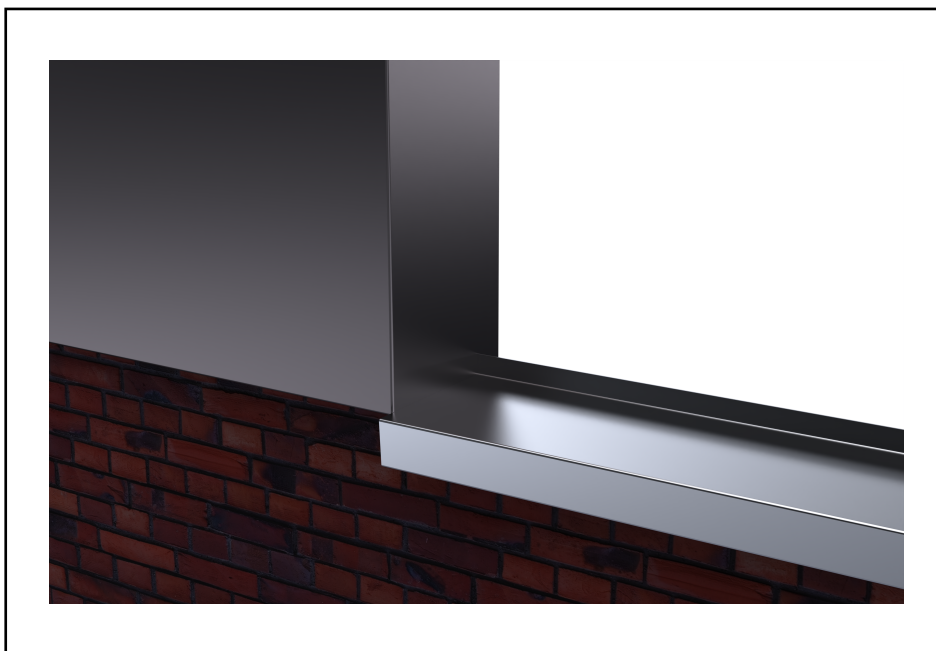
Title: **Discrete Vertical Section Through Window POD**

Drg. No: DIS-CAS-008	Drawn By: PF	Date: 29.02.20
Scale 1:4 @A4	Checked by: Aluclad Systems	Rev: A





### Real View



#### Components List:

1. Plasterboards
2. SFS Studs
3. Internal Insulation
4. Calcium Silicate Boards
5. Breathing Membrane
6. Double Helping Hand Bracket
7. Top Hat with Insulation Infill
8. Mineral Wool Insulation
9. Discrete Cassette Panel
10. Window Cill

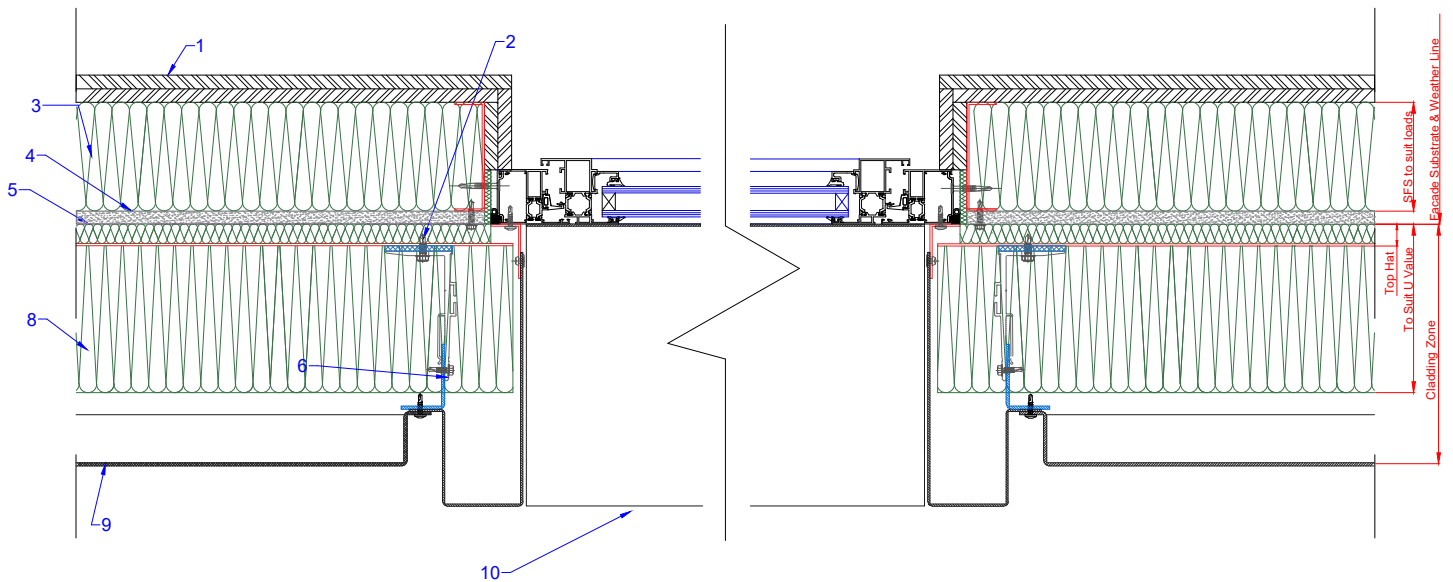


### Aluclad Systems Ltd.

Office 32, 203-205 The Vale,  
 London, W3 7QS, United Kingdom,  
 info@alucladsystems.com; www.alucladsystems.com

Title: **Discrete Horizontal Section Through Window**

Drg. No: DIS-CAS-009	Drawn By: PF	Date: 29.02.20
Scale 1:4 @A4	Checked by: Aluclad Systems	Rev: A



## Real View



### Components List:

1. Plasterboards
2. SFS Studs
3. Internal Insulation
4. Calcium Silicate Boards
5. Breathing Membrane
6. Double Helping Hand Bracket
7. Top Hat with Insulation Infill
8. Mineral Wool Insulation
9. Discrete Cassette Panel
10. Window Cill



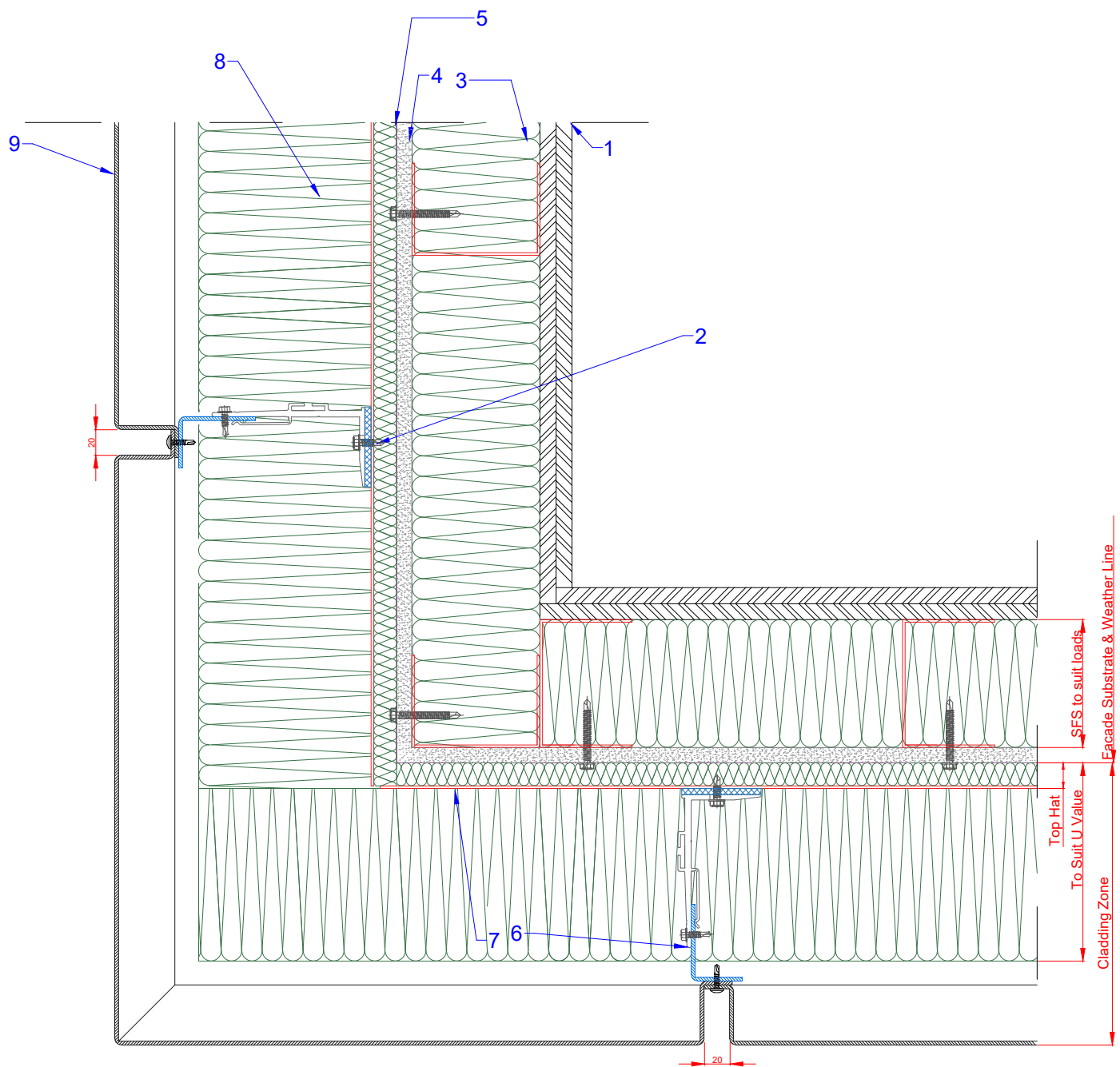
### Aluclad Systems Ltd.

Office 32, 203-205 The Vale,  
London, W3 7QS, United Kingdom,  
info@alucladsystems.com; www.alucladsystems.com

Title: **Discrete Horizontal Section Through Window POD**

Drg. No: DIS-CAS-010	Drawn By: PF	Date: 29.02.20
-------------------------	-----------------	-------------------

Scale 1:4 @A4	Checked by: Aluclad Systems	Rev: A
------------------	--------------------------------	-----------



**Components List:**

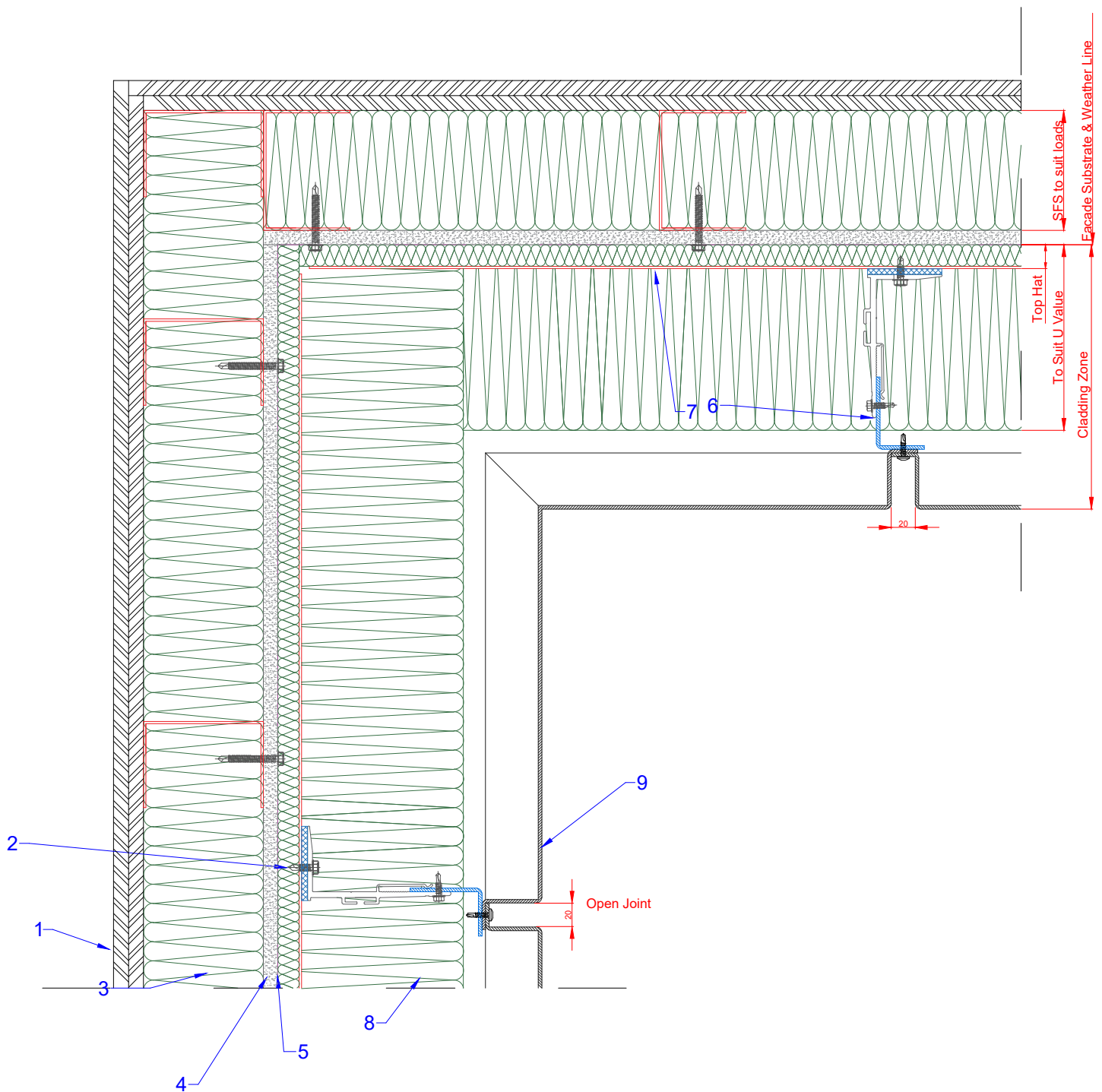
1. Plasterboards
2. SFS Studs
3. Internal Insulation
4. Calcium Silicate Boards
5. Breathing Membrane
6. Double Helping Hand Bracket
7. Top Hat with Insulation Infill
8. Mineral Wool Insulation
9. Discrete Cassette Panel



**Aluclad Systems Ltd.**

Office 32, 203-205 The Vale,  
 London, W3 7QS, United Kingdom,  
 info@alucladsystems.com; www.alucladsystems.com

Title: <b>Discrete External Corner</b>		
Drg. No: DIS-CAS-011	Drawn By: PF	Date: 29.02.20
Scale 1:4 @A4	Checked by: Aluclad Systems	Rev: A



**Components List:**

1. Plasterboards
2. SFS Studs
3. Internal Insulation
4. Calcium Silicate Boards
5. Breathing Membrane
6. Double Helping Hand Bracket
7. Top Hat with Insulation Infill
8. Mineral Wool Insulation
9. Discrete Cassette Panel

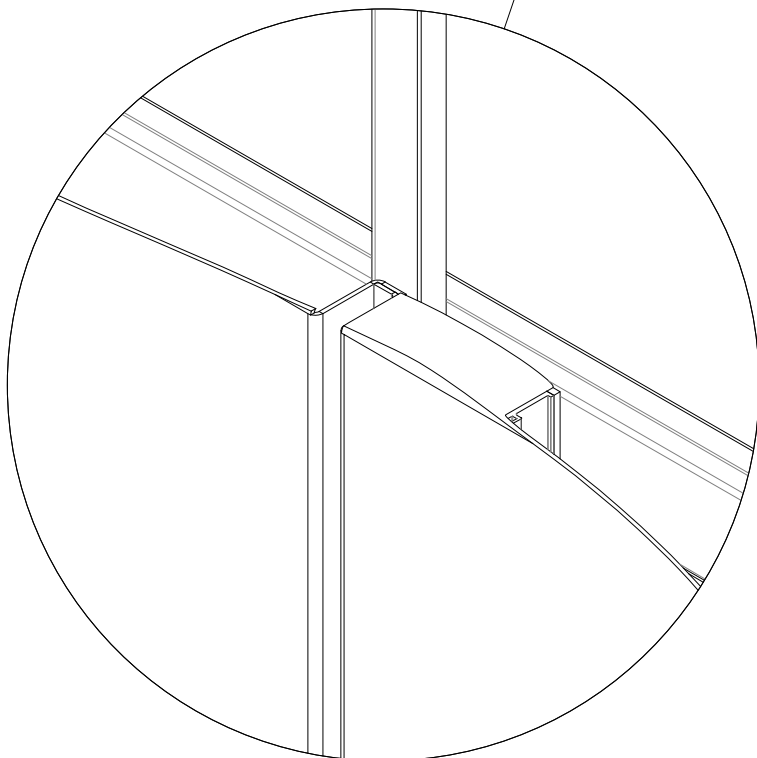
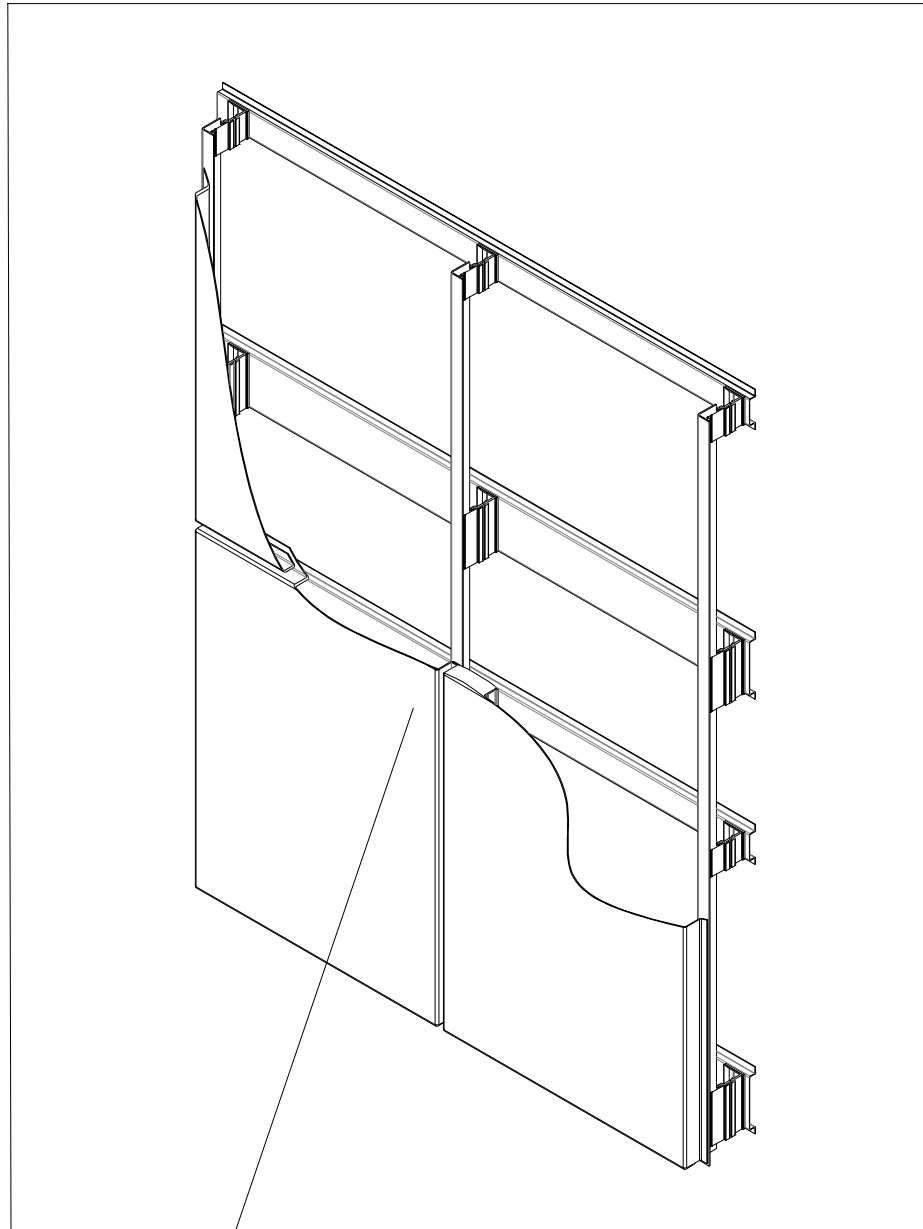


**Aluclad Systems Ltd.**

Office 32, 203-205 The Vale,  
 London, W3 7QS, United Kingdom,  
 info@alucladsystems.com; www.alucladsystems.com

Title: <b>Discrete Internal Corner</b>		
Drg. No: DIS-CAS-012	Drawn By: PF	Date: 29.02.20
Scale 1:4 @A4	Checked by: Aluclad Systems	Rev: A

# 3D View

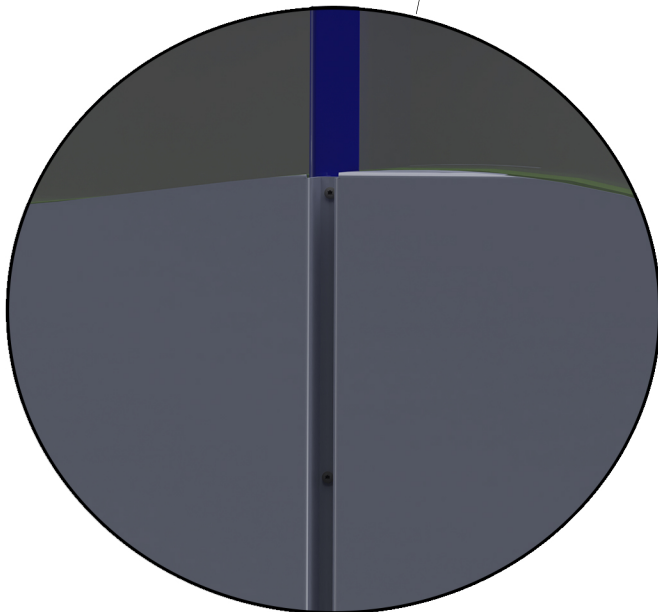
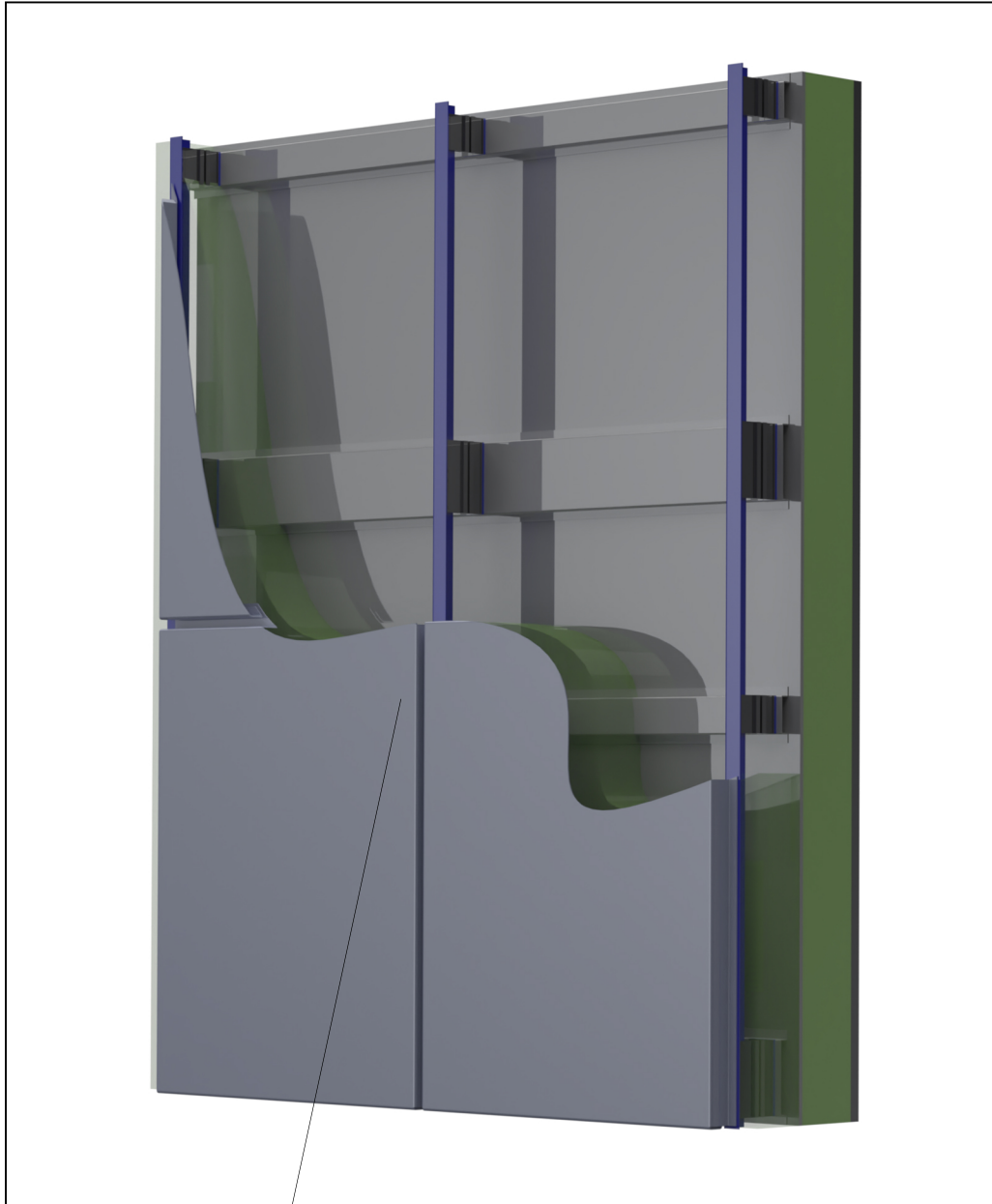


## Aluclad Systems Ltd.

Office 32, 203-205 The Vale,  
London, W3 7QS, United Kingdom,  
info@alucladsystems.com; www.alucladsystems.com

Title: <b>Discrete Elevation 3D</b>		
Drg. No: <b>DIS-CAS-013</b>	Drawn By: <b>PF</b>	Date: <b>29.02.20</b>
Scale <b>1:4 @A4</b>	Checked by: <b>Aluclad Systems</b>	Rev: <b>A</b>

### 3D Real View



#### Aluclad Systems Ltd.

Office 32, 203-205 The Vale,  
London, W3 7QS, United Kingdom,  
info@alucladsystems.com; www.alucladsystems.com

Title:  
**Discrete Elevation 3D - "Real View"**

Drg. No: DIS-CAS-014	Drawn By: PF	Date: 29.02.20
Scale 1:4 @A4	Checked by: Aluclad Systems	Rev: A