

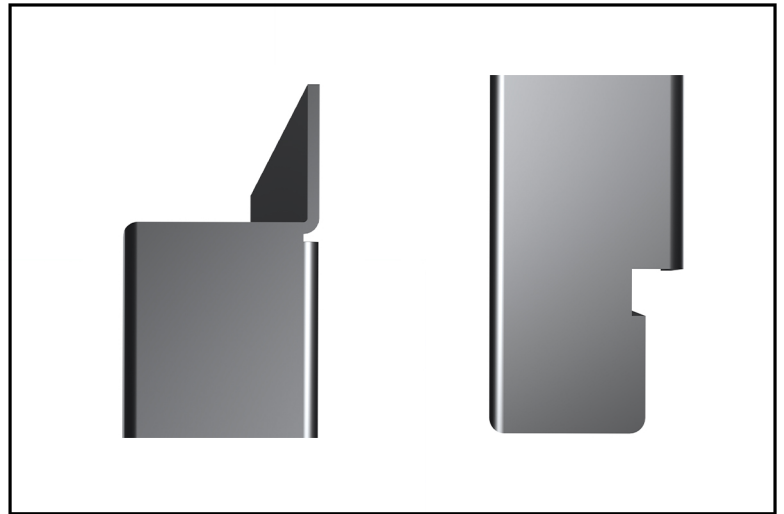
Rear View



Option 1 - Folded Corners



Option 2 - Welded Corners



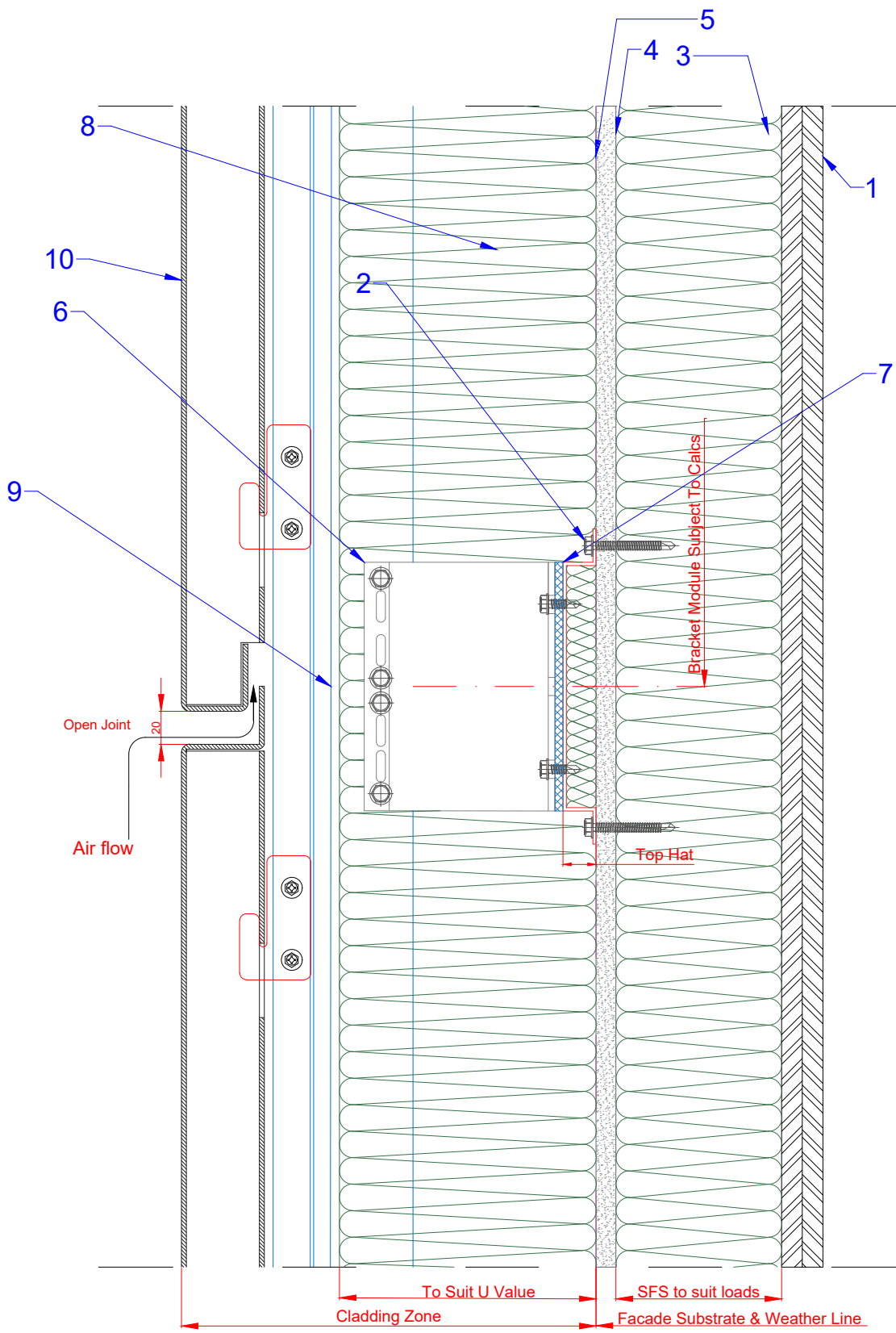
Front View



Aluclad Systems Ltd.

Office 32, 203-205 The Vale,
London, W3 7QS, United Kingdom,
info@alucladsystems.com; www.alucladsystems.com

Title: Interlock 3D Cassette Panel		
Drg. No: INT-CAS-001	Drawn By: PF	Date: 29.02.20
Scale 1:4 @A4	Checked by: Aluclad Systems	Rev: A



Components List:

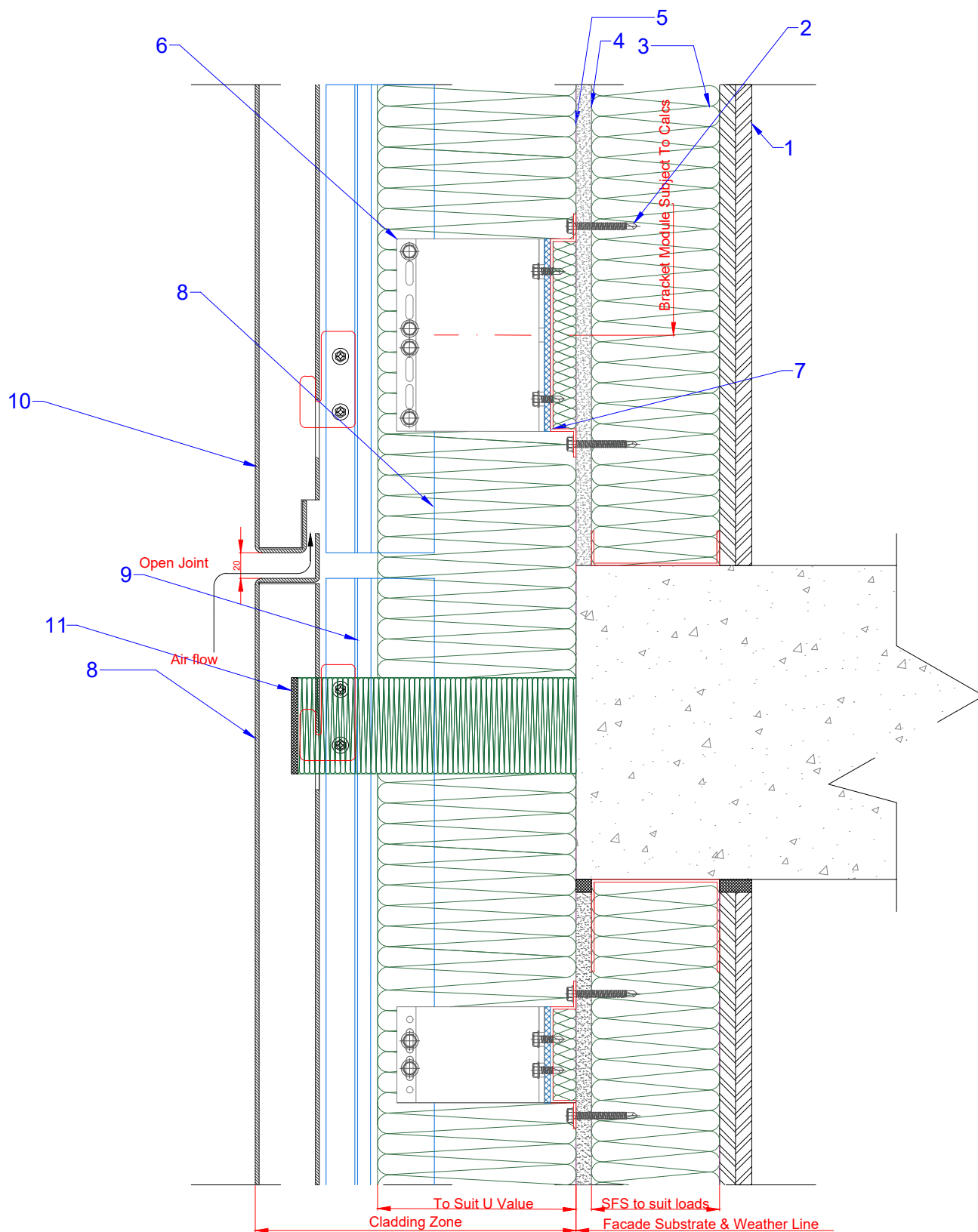
1. Plasterboards
2. SFS Studs
3. Internal Insulation
4. Calcium Silicate Boards
5. Breathing Membrane
6. Double Helping Hand Bracket
7. Top Hat with Insulation Infill
8. Mineral Wool Insulation
9. Vertical Rails and Hooks
10. Interlock Cassette Panel



Aluclad Systems Ltd.

Office 43, 203-205 The Vale,
 London, W3 7QS, United Kingdom,
 info@alucladsystems.com; www.alucladsystems.com

Title: Interlock Vertical Section		
Drg. No: INT-CAS-002	Drawn By: PF	Date: 29.02.20
Scale: 1:4 @A4	Checked by: Aluclad Systems	Rev: A



Components List:

1. Plasterboards
2. SFS Studs
3. Internal Insulation
4. Calcium Silicate Boards
5. Breathing Membrane
6. Double Helping Hand Bracket
7. Top Hat with Insulation Infill
8. Mineral Wool Insulation
9. Vertical Rails and Hooks
10. Discrete Cassette Panel
11. Fire Barrier

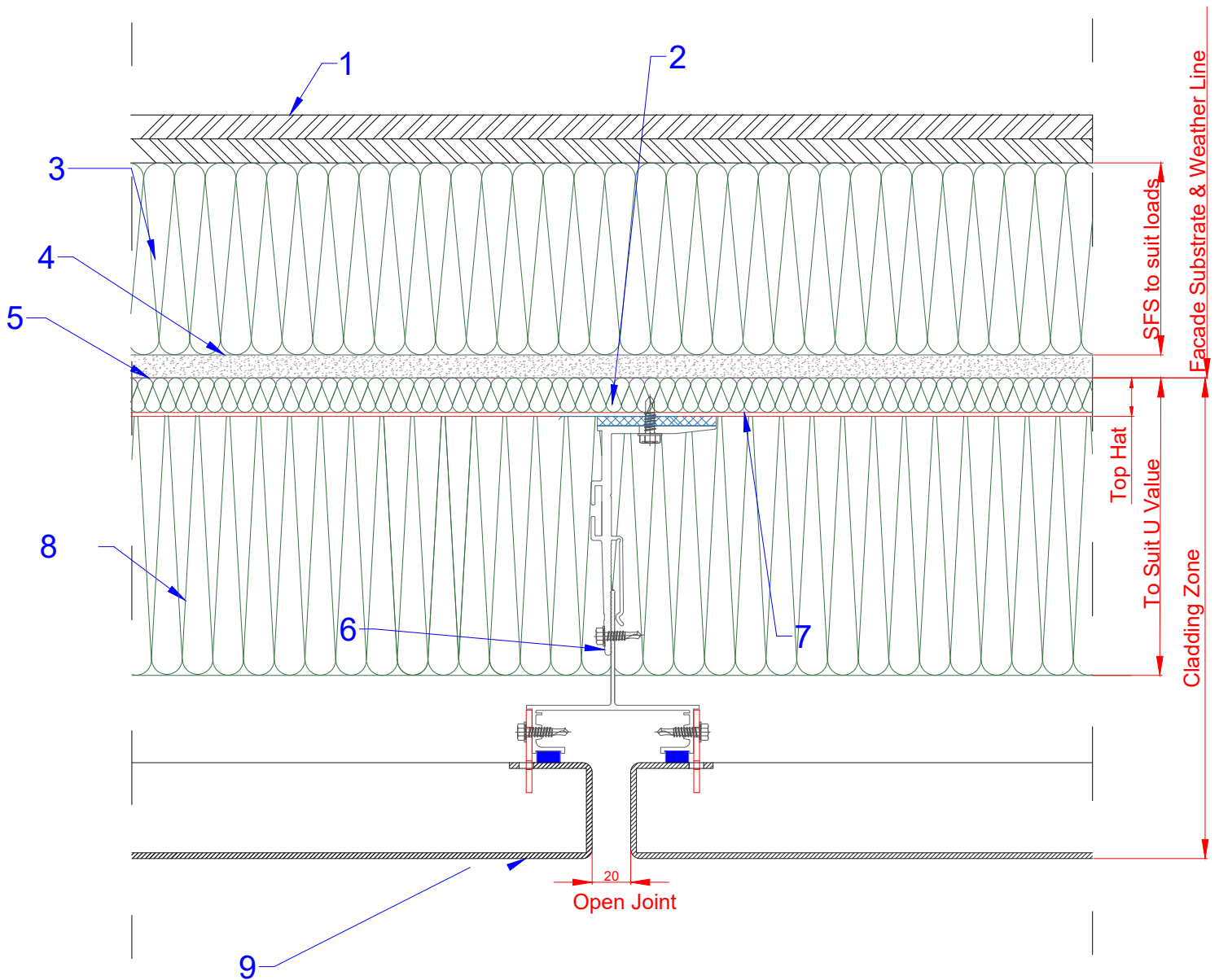


Aluclad Systems Ltd.

Office 32, 203-205 The Vale,
 London, W3 7QS, United Kingdom,
 info@alucladsystems.com; www.alucladsystems.com

Title: **Interlock Vertical Section at Slab**

Drg. No: INT-CAS-003	Drawn By: PF	Date: 29.02.20
Scale 1:4 @A4	Checked by: Aluclad Systems	Rev: A



Components List:

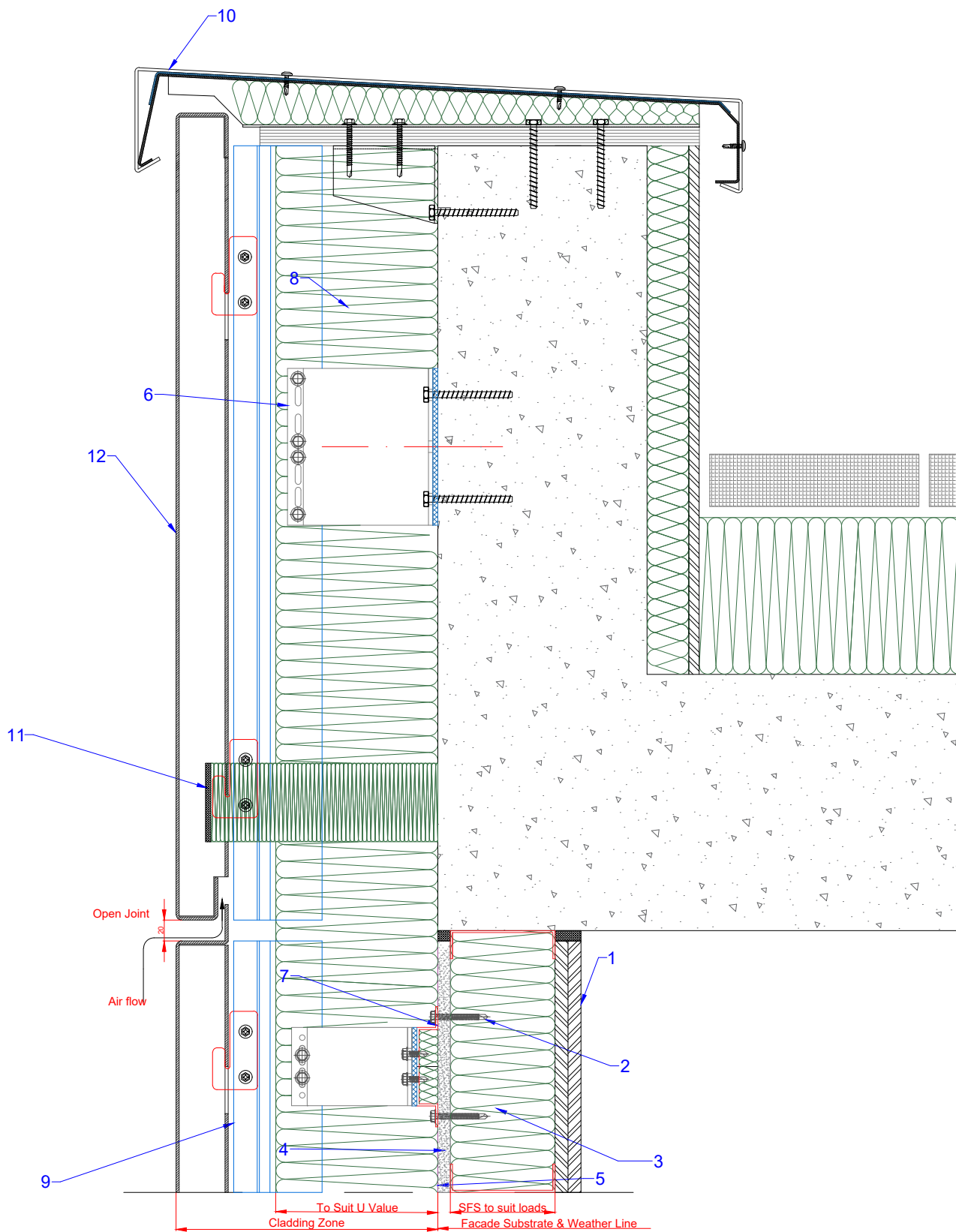
1. Plasterboards
2. SFS Studs
3. Internal Insulation
4. Calcium Silicate Boards
5. Breathing Membrane
6. Double Helping Hand Bracket
7. Top Hat with Insulation Infill
8. Mineral Wool Insulation
9. Cassette Panel



Aluclad Systems Ltd.

Office 32, 203-205 The Vale,
 London, W3 7QS, United Kingdom,
 info@alucladsystems.com; www.alucladsystems.com

Title: Interlock Horizontal Section		
Drg. No: INT-CAS-004	Drawn By: PF	Date: 29.02.20
Scale 1:4 @A4	Checked by: Aluclad Systems	Rev: A



Components List:

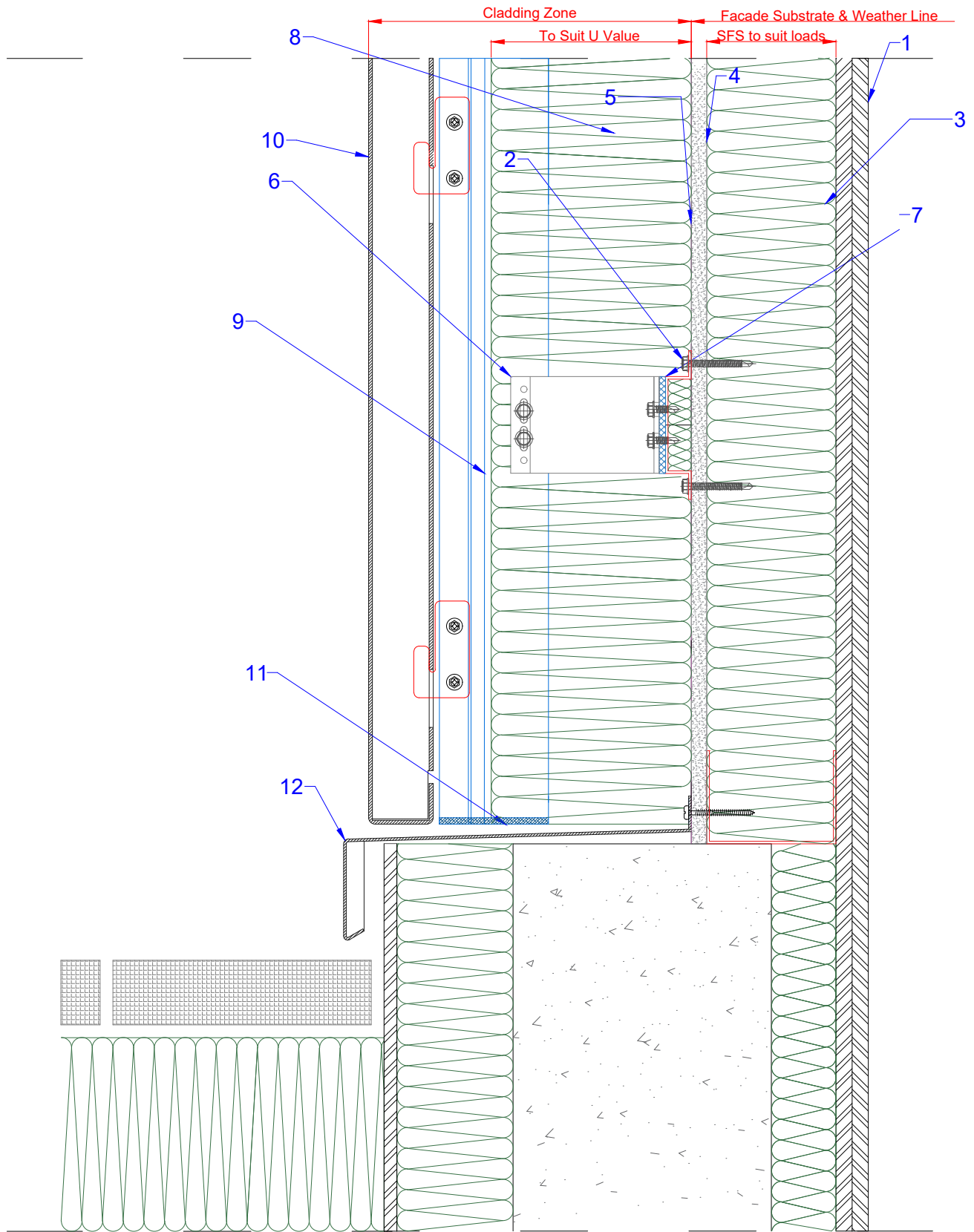
1. Plasterboards
2. SFS Studs
3. Internal Insulation
4. Calcium Silicate Boards
5. Breathing Membrane
6. Double Helping Hand Bracket
7. Top Hat with Insulation Infill
8. Mineral Wool Insulation
9. Vertical Rails and Hooks
10. Copings
11. Fire Barrier
12. Interlock Cassette Panel



Aluclad Systems Ltd.

Office 32, 203-205 The Vale,
 London, W3 7QS, United Kingdom,
 info@alucladsystems.com; www.alucladsystems.com

Title: Interlock Top Copings Detail		
Drg. No: INT-CAS-005	Drawn By: PF	Date: 29.02.20
Scale: 1:4 @A4	Checked by: Aluclad Systems	Rev: A



Components List:

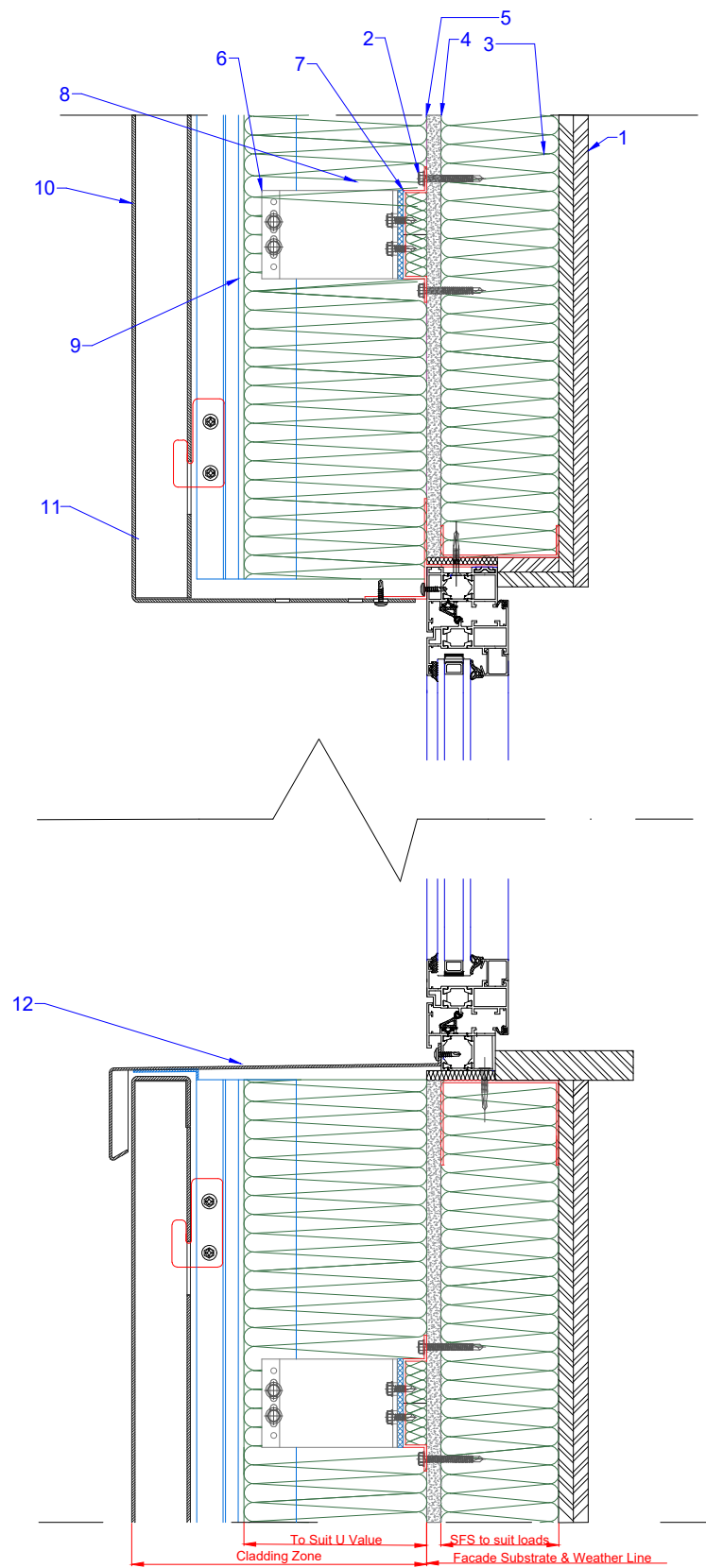
1. Plasterboards
2. SFS Studs
3. Internal Insulation
4. Calcium Silicate Boards
5. Breathing Membrane
6. Double Helping Hand Bracket
7. Top Hat with Insulation Infill
8. Mineral Wool Insulation
9. Vertical Rails and Hooks
10. Interlock Cassette Panel
11. Insect Mesh
12. Base Flashing



Aluclad Systems Ltd.

Office 32, 203-205 The Vale,
 London, W3 7QS, United Kingdom,
 info@alucladsystems.com; www.alucladsystems.com

Title: Interlock Base Detail		
Drg. No: INT-CAS-006	Drawn By: PF	Date: 29.02.20
Scale 1:4 @A4	Checked by: Aluclad Systems	Rev: A



Components List:

1. Plasterboards
2. SFS Studs
3. Internal Insulation
4. Calcium Silicate Boards
5. Breathing Membrane
6. Double Helping Hand Bracket
7. Top Hat with Insulation Infill
8. Mineral Wool Insulation
9. Vertical Rails and Hooks
10. Interlock Cassette Panel
11. Fire Barrier
12. Window Cill

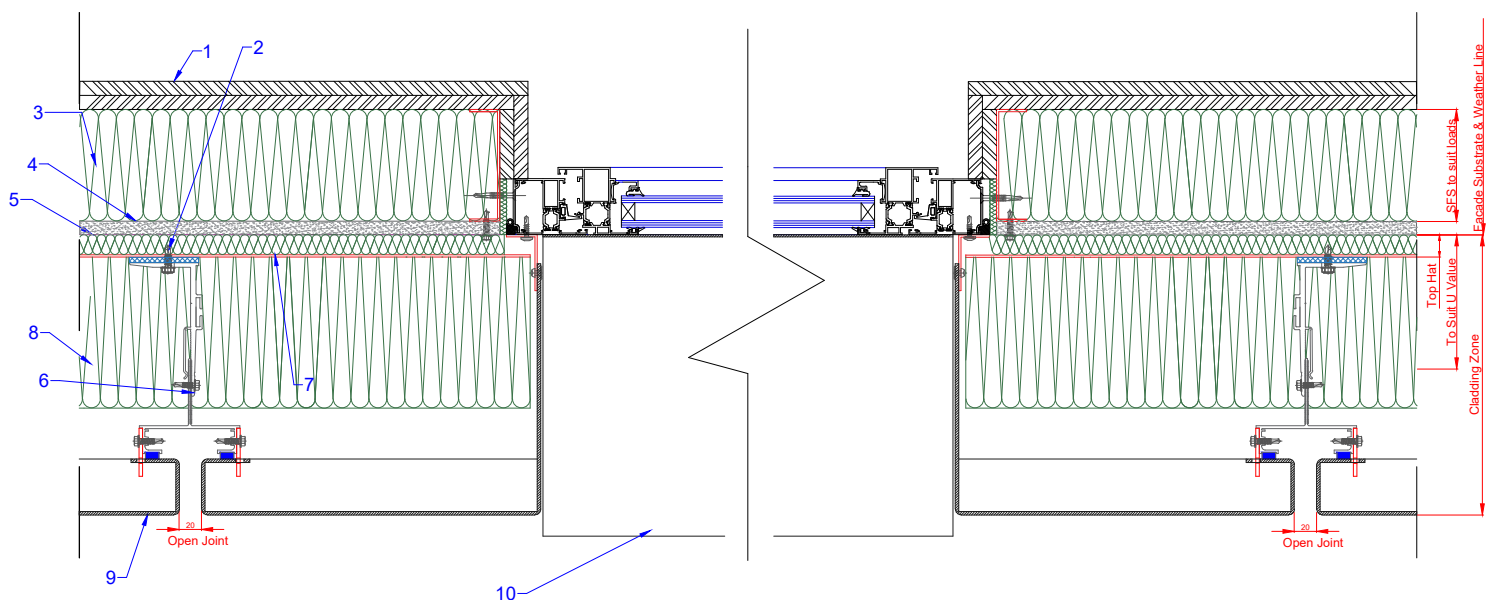


Aluclad Systems Ltd.

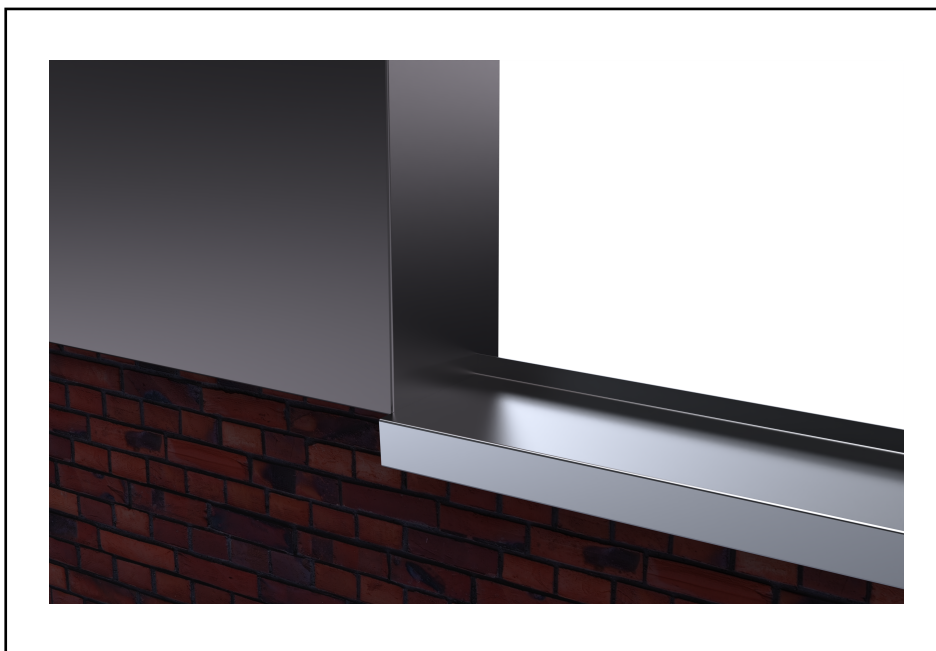
Office 32, 203-205 The Vale,
 London, W3 7QS, United Kingdom,
 info@alucladsystems.com; www.alucladsystems.com

Title: **Interlock Vertical Section Through Window**

Drg. No: INT-CAS-007	Drawn By: PF	Date: 29.02.20
Scale 1:4 @A4	Checked by: Aluclad Systems	Rev: A



Real View



Components List:

1. Plasterboards
2. SFS Studs
3. Internal Insulation
4. Calcium Silicate Boards
5. Breathing Membrane
6. Double Helping Hand Bracket
7. Top Hat with Insulation Infill
8. Mineral Wool Insulation
9. Cassette Panel
10. Window Cill

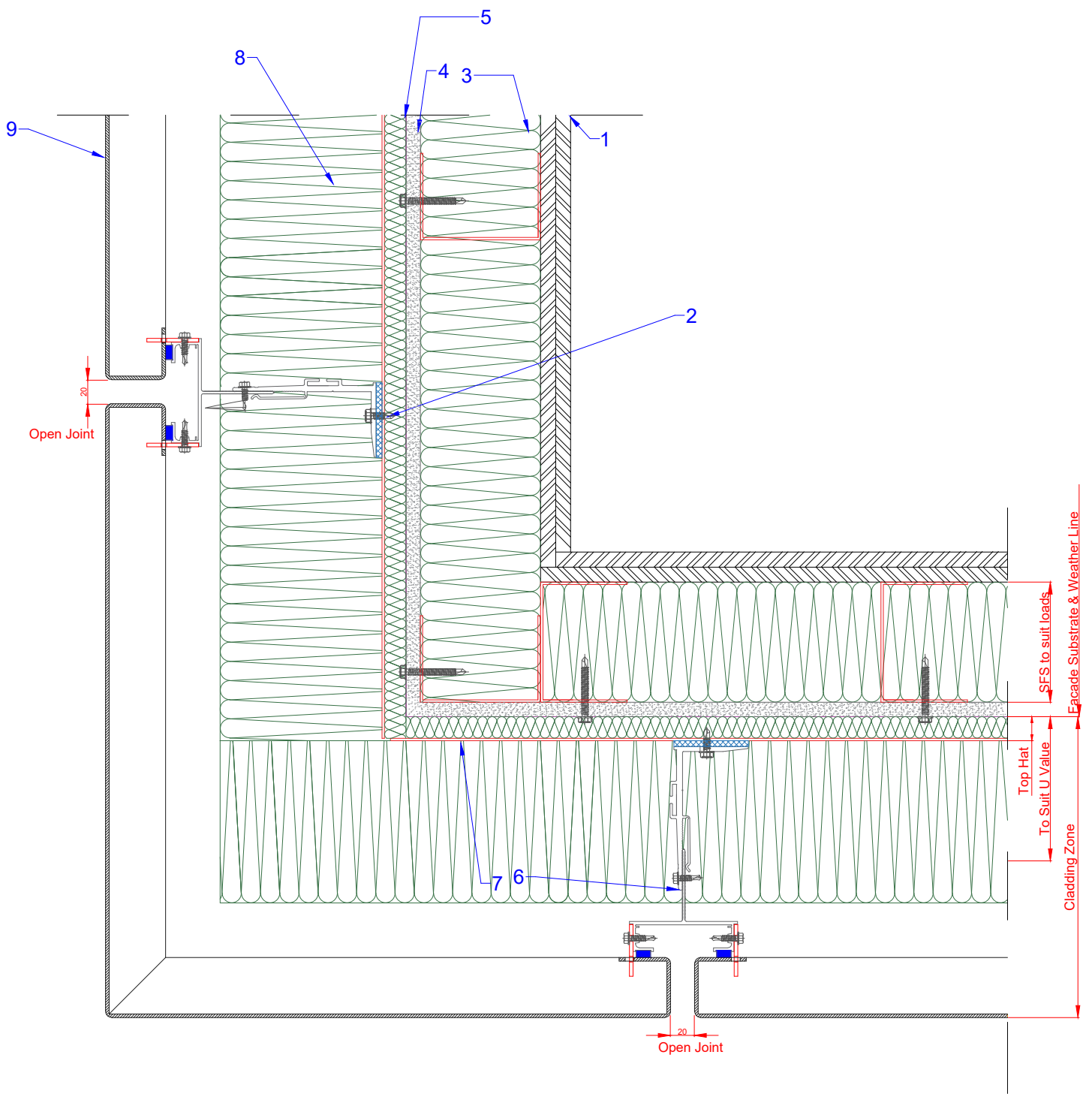


Aluclad Systems Ltd.

Office 32, 203-205 The Vale,
 London, W3 7QS, United Kingdom,
 info@alucladsystems.com; www.alucladsystems.com

Title: **Interlock Horizontal Section Through Window**

Drg. No: INT-CAS-008	Drawn By: PF	Date: 29.02.20
Scale 1:4 @A4	Checked by: Aluclad Systems	Rev: A



Components List:

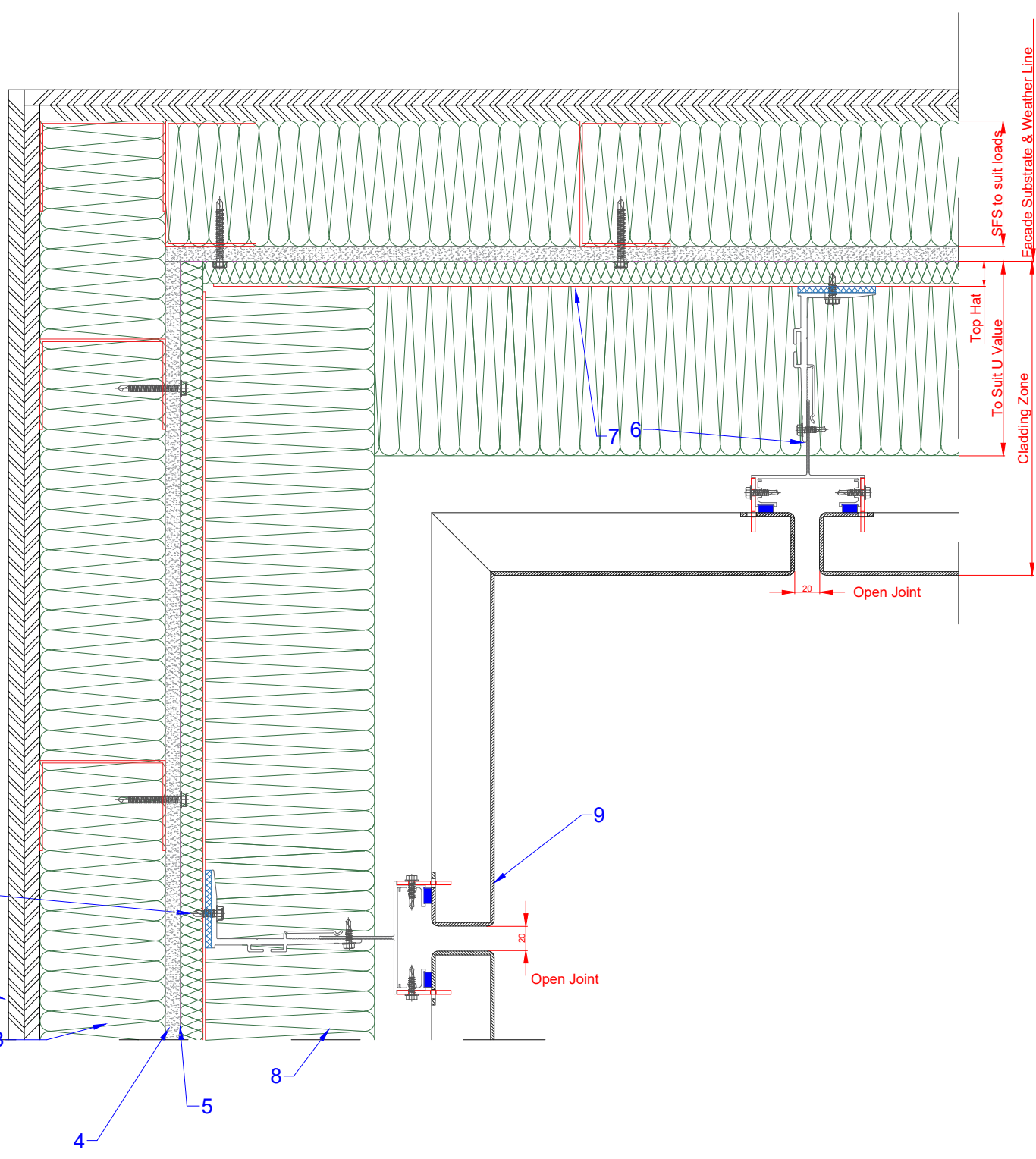
1. Plasterboards
2. SFS Studs
3. Internal Insulation
4. Calcium Silicate Boards
5. Breathing Membrane
6. Double Helping Hand Bracket
7. Top Hat with Insulation Infill
8. Mineral Wool Insulation
9. Cassette Panel



Aluclad Systems Ltd.

Office 32, 203-205 The Vale,
 London, W3 7QS, United Kingdom,
 info@alucladsystems.com; www.alucladsystems.com

Title: Interlock External Corner		
Drg. No: INT-CAS-009	Drawn By: PF	Date: 29.02.20
Scale 1:4 @A4	Checked by: Aluclad Systems	Rev: A



Components List:

1. Plasterboards
2. SFS Studs
3. Internal Insulation
4. Calcium Silicate Boards
5. Breathing Membrane
6. Double Helping Hand Bracket
7. Top Hat with Insulation Infill
8. Mineral Wool Insulation
9. Cassette Panel

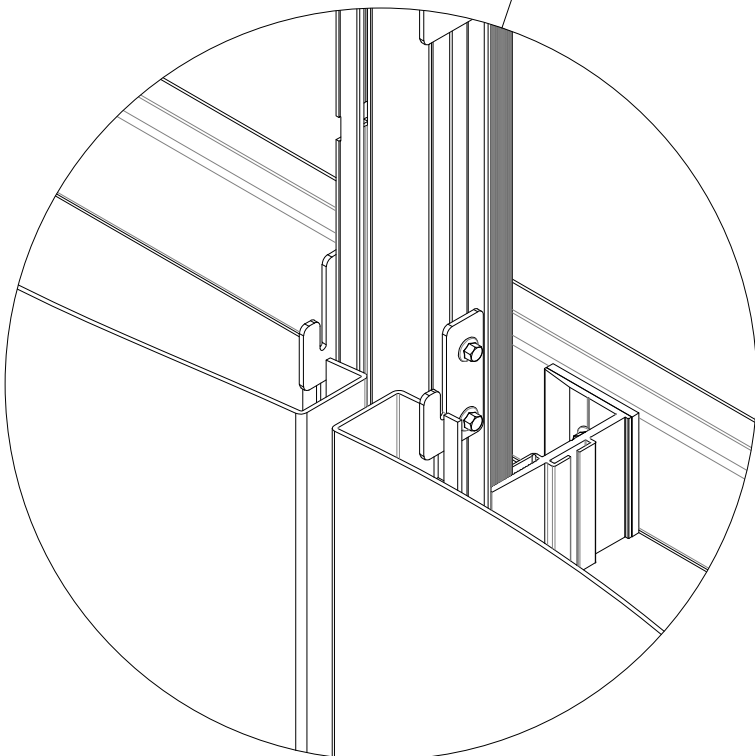
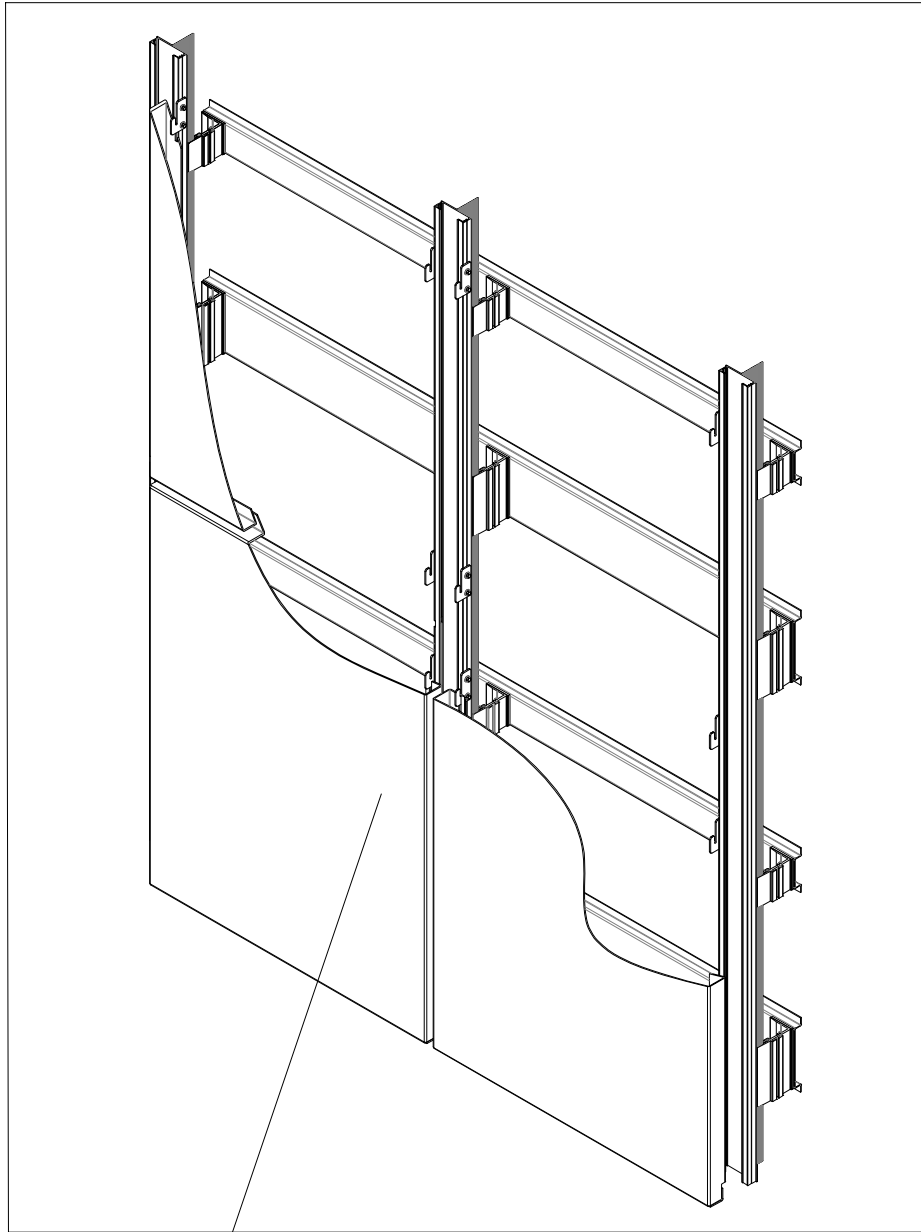


Aluclad Systems Ltd.

Office 32, 203-205 The Vale,
 London, W3 7QS, United Kingdom,
 info@alucladsystems.com; www.alucladsystems.com

Title: Interlock Internal Corner		
Drg. No: INT-CAS-010	Drawn By: PF	Date: 29.02.20
Scale 1:4 @A4	Checked by: Aluclad Systems	Rev: A

3D View



Aluclad Systems Ltd.

Office 32, 203-205 The Vale,
London, W3 7QS, United Kingdom,
info@alucladsystems.com; www.alucladsystems.com

Title: Interlock Elevation 3D		
Drg. No: INT-CAS-011	Drawn By: PF	Date: 29.02.20
Scale 1:4 @A4	Checked by: Aluclad Systems	Rev: A