

Components List:

1. Plasterboards
2. SFS Studs
3. Internal Insulation
4. Calcium Silicate Boards
5. Breathing Membrane
6. Double Helping Hand Bracket
7. Top Hat with Insulation Infill
8. Mineral Wool Insulation
9. Vertical Rails
10. Aluminium Copings
11. Powder Coated Rivets
12. Powder Coated Solid Aluminium Panels



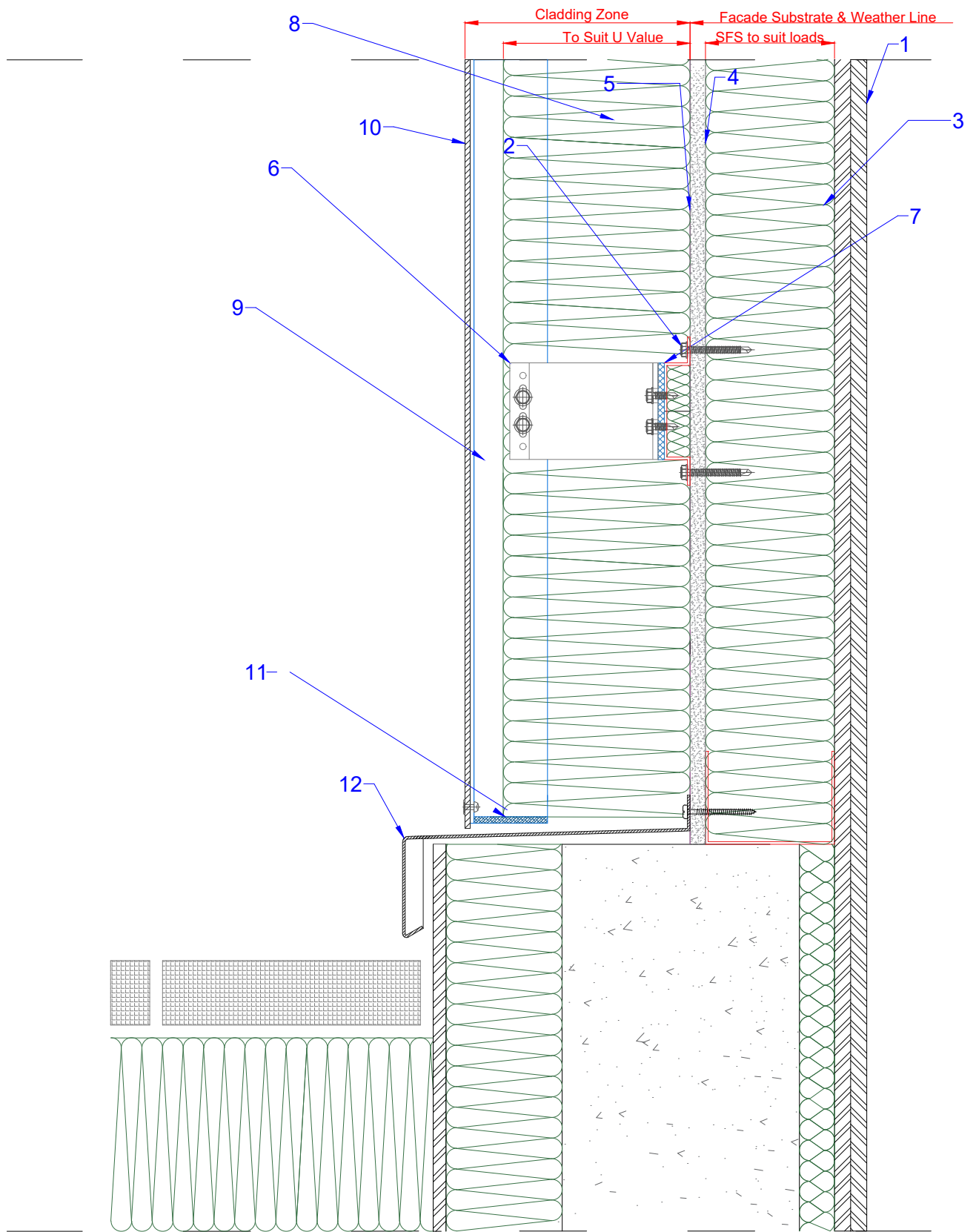
Aluclad Systems Ltd.

Office 32, 203-205 The Vale,
 London, W3 7QS, United Kingdom,
 info@alucladsystems.com; www.alucladsystems.com

Title:
Aluclad Flat Panel System Top Copings Detail

Drg. No: ACL-FPS-001	Drawn By: PF	Date: 29.02.20
-------------------------	-----------------	-------------------

Scale 1:4 @A4	Checked by: Aluclad Systems	Rev: A
------------------	--------------------------------	-----------



Components List:

1. Plasterboards
2. SFS Studs
3. Internal Insulation
4. Calcium Silicate Boards
5. Breathing Membrane
6. Double Helping Hand Bracket
7. Top Hat with Insulation Infill
8. Mineral Wool Insulation
9. Vertical Rails
10. Powder Coated Solid Aluminium Panels
11. Insect Mesh
12. Base Flashing

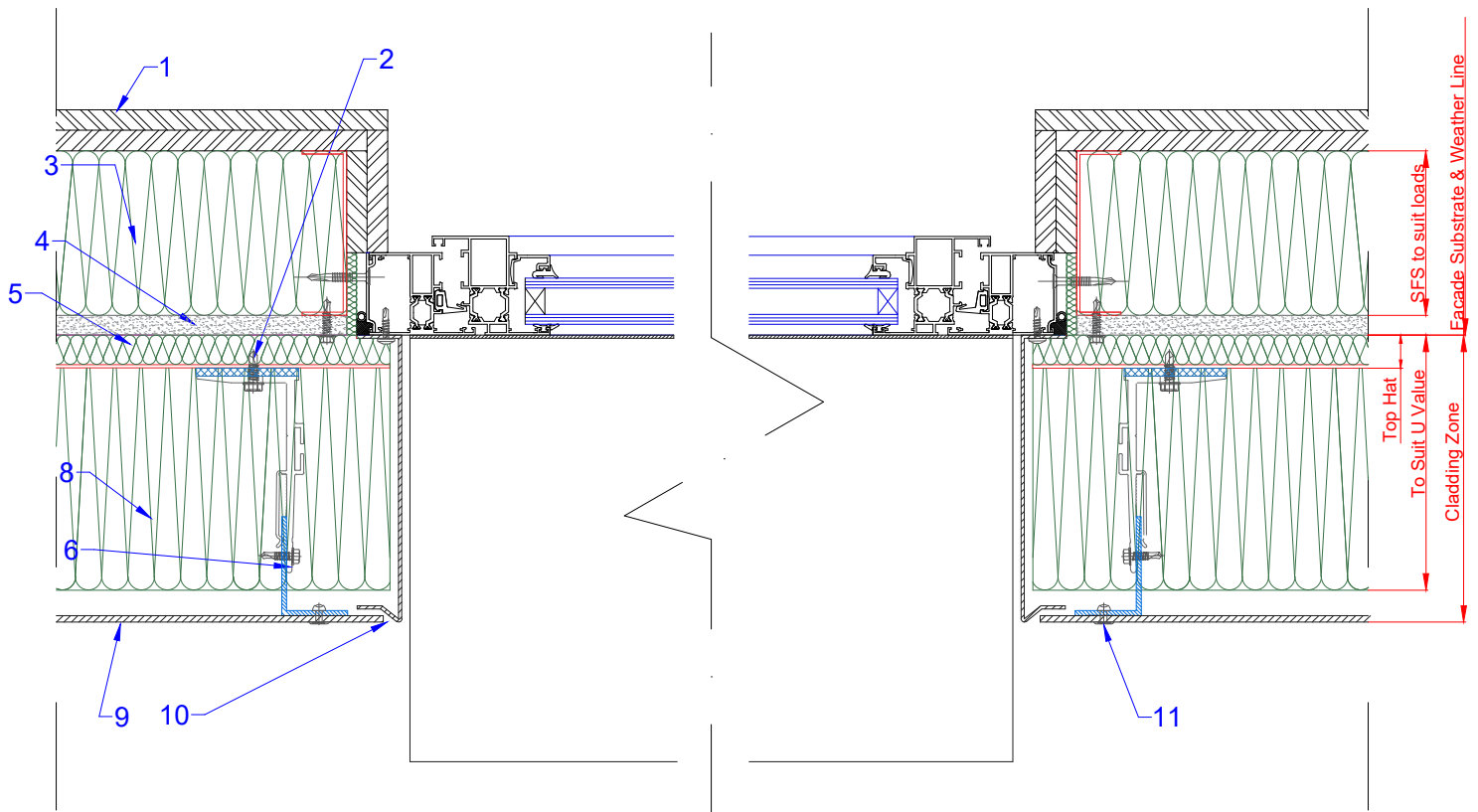


Aluclad Systems Ltd.

Office 32, 203-205 The Vale,
 London, W3 7QS, United Kingdom,
 info@alucladsystems.com; www.alucladsystems.com

Title:
Aluclad Flat Panels System Base Detail

Drg. No: ACL-FPS-002	Drawn By: PF	Date: 29.02.20
Scale 1:4 @A4	Checked by: Aluclad Systems	Rev: A



Components List:

1. Plasterboards
2. SFS Studs
3. Internal Insulation
4. Calcium Silicate Boards
5. Breathing Membrane
6. Double Helping Hand Bracket
7. Top Hat with Insulation Infill
8. Mineral Wool Insulation
9. Powder Coated Solid Aluminium Panels
10. Powder Coated Aluminium Reveal Flashing
11. Powder Coated Rivets

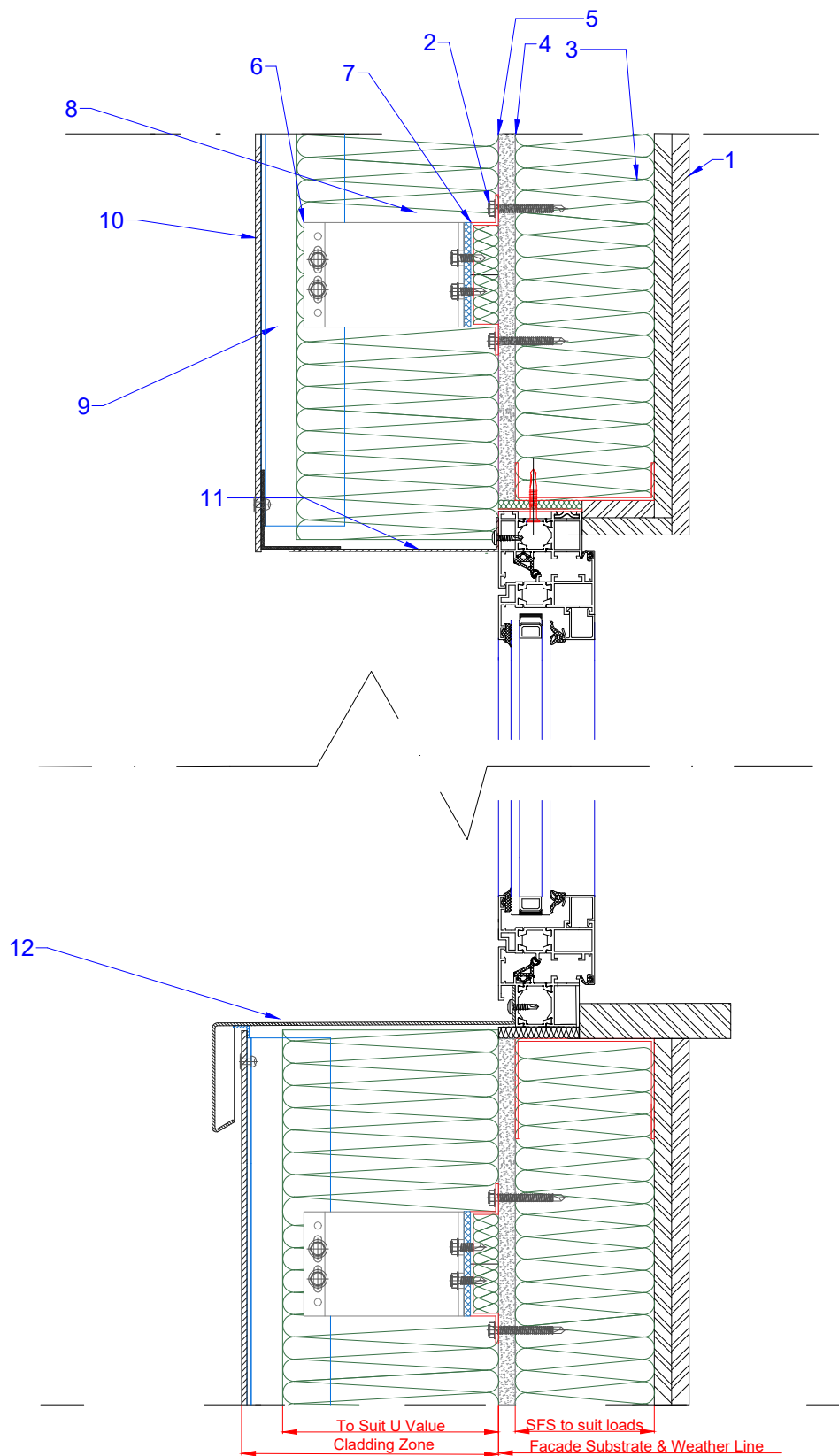


Aluclad Systems Ltd.

Office 32, 203-205 The Vale,
London, W3 7QS, United Kingdom,
info@alucladsystems.com; www.alucladsystems.com

Title: Aluclad Flat System Windows Horizontal Detail

Drg. No: ACL-FPS-003	Drawn By: PF	Date: 29.02.20
Scale 1:4 @A4	Checked by: Aluclad Systems	Rev: A



Components List:

1. Plasterboards
2. SFS Studs
3. Internal Insulation
4. Calcium Silicate Boards
5. Breathing Membrane
6. Double Helping Hand Bracket
7. Top Hat with Insulation Infill
8. Mineral Wool Insulation
9. Vertical Rails
10. Powder Coated Solid Aluminium Panels
11. Powder Coated Aluminium Reveal Flashing
12. Window Cill



Aluclad Systems Ltd.

Office 32, 203-205 The Vale,
London, W3 7QS, United Kingdom,
info@alucladsystems.com; www.alucladsystems.com

Title:

Aluclad Flat System Windows Vertical Detail

Drg. No:
ACL-FPS-004

Drawn By:
PF

Date:
29.02.20

Scale
1:4 @A4

Checked by:
Aluclad Systems

Rev:
A